

# POWER SUPPLY MODEL 580000 5-32 VDC



The Model 580000 Power Supply is designed for general-purpose instrumentation applications. This Power Supply has been packaged in a rugged JIC enclosure which makes it ideal for hostile plant environments. Standard features of the 580000 are short circuit protection, all welded steel case and full rated operation to 160° F.

## TECHNICAL SPECIFICATIONS

### INPUT:

117/220 Volts A.C. 50/60Hz ±8%

### OUTPUT VOLTAGES:

5 VDC, 8 VDC, 12 VDC, 15 VDC, 18 VDC 24 VDC, 28 VDC, 32 VDC

### OUTPUT CURRENT:

125 MADC (3 Watts)

### ACCURACY:

±0.5% Typical

### LOAD REGULATION:

0.3% Typical

### OUTPUT RIPPLE:

Less than 2.0 mv P/P

### AMBIENT TEMPERATURE:

-10°F to 160°F

### ENCLOSURE:

16-ga steel, light blue finish

### OPTIONS

NEMA 7/9 Explosion Proof Housing-Model 580002

A.C. Line cord and Test Leads

Open Frame (No Case) contact factory



Size 4" x 4" x 2 3/4"

## APPLICATIONS & FEATURES

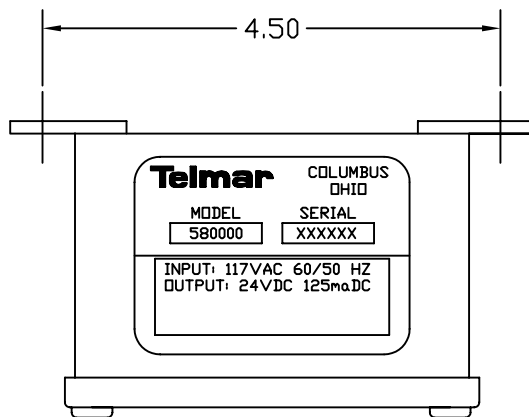
- Power 5 "Two Wire" Transmitters
- A.C. Line Fuse (Internal)
- JIC Liquid Resistant Steel Case
- Short Circuit Protected Output
- 1/2" Conduit Openings

08/11/08

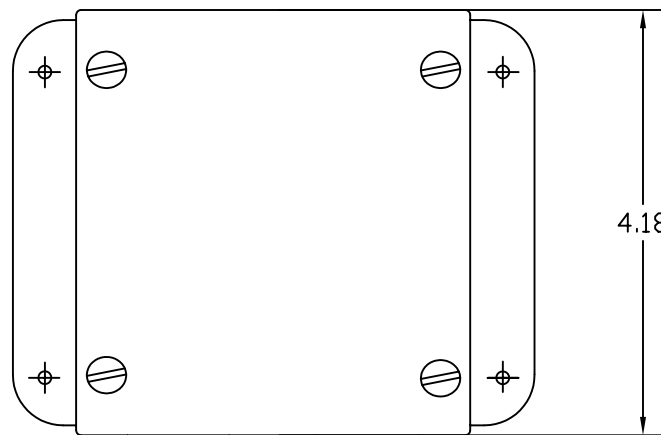
DWG. NO.  
SD-C-0116B

REVISIONS

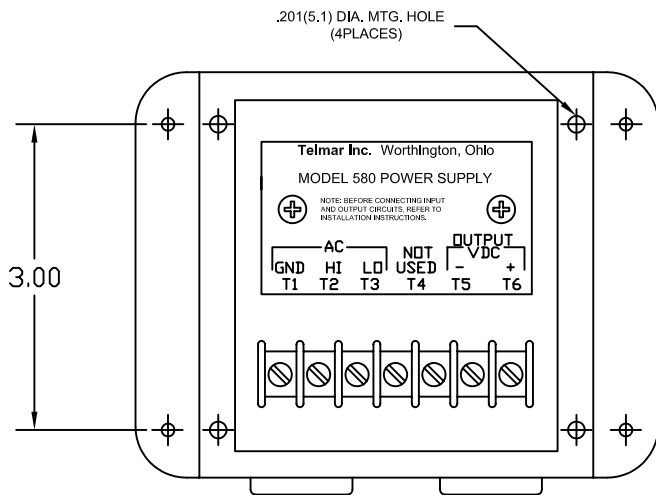
A	CASE STYLE CHANGE J.E.F. 3-9-82
B	UPDATED J.E.F. 3-9-82
C	TAG LOCATION CHANGE J.B. 10/03/00



BACK VIEW



TOP VIEW



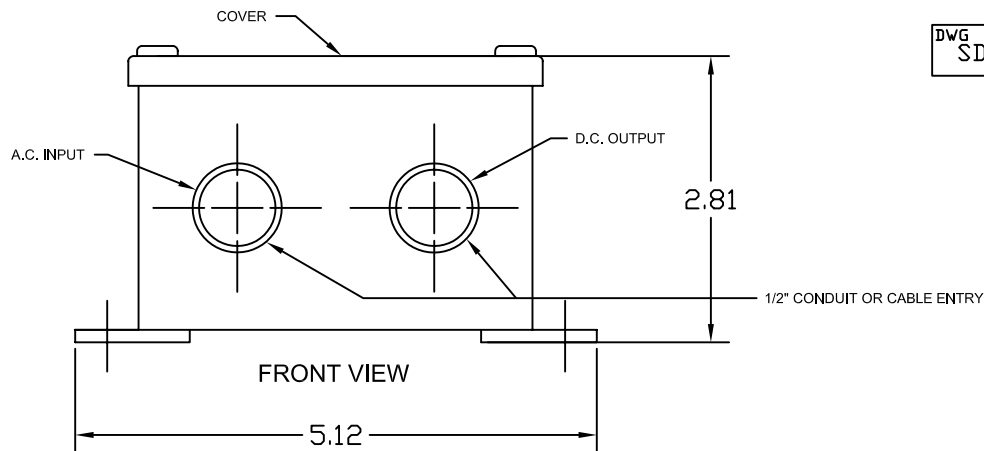
TOP VIEW  
COVER REMOVED

WIRING CONNECTIONS

- T-1 GROUND (A.C.)(GND)
- T-2 A.C. INPUT (H)
- T-3 A.C. INPUT (N)
- T-4 NOT USED
- T-5 NEGATIVE (-)
- T-6 POSITIVE (+)

NOTES:

1. JIC LIQUID-TIGHT ENCLOSURE 16 GA. STEEL, BLUE EPOXY FINISH.
2. WEIGHT INCLUDING INSTRUMENT IS 2.5 LBS. (5.5 KILOGRAMS).
3. ALL DIMENSIONS SHOWN IN PARENTHESES ARE IN MILLIMETERS UNLESS OTHERWISE SPECIFIED.
4. INPUT 117 VAC 50/60Hz ±10 %
5. OUTPUT 2 TO 32 VDC 125maDC MAX. 5 WATTS.(FACTORY SELECTABLE).



FRONT VIEW

DWG  
SD-C-0116B

R.M.L.

QUOTE OR ORDER NUMBER			<b>Analynk Wireless, LLC</b> 790 CROSS POINTE ROAD COLUMBUS, OHIO 43230		
Dimensions in inches unless otherwise specified					
UNLESS OTHERWISE SPECIFIED					
BASIC DIMENSIONS	FRACTIONAL	DECIMAL	TITLE		
UP TO 6	+/- 1/64	+/- .005	FOR 580000 SERIES		
OVER 6 TO 24	+/- 1/32	+/- .005	JIC ENCLOSURE		
OVER 24	+/- 1/16	+/- .010	SCALE: DO NOT SCALE DRAWING WORK TO DIMENSIONS		
DRAWN J. BIEHN		DATE 10/30/03	NEXT ASS'Y		DWG NO. SD-C-0116B
CHECKED R.M.L.		DATE 10/30/03	APPROVED R.M.L.		DATE 10/30/03

FILE NAME  
EU000013.DWG