

The Model 578066 transmitter converts an input frequency to a proportional 4 to 20 mAdc or 10 to 50 mAdc loop current. The transmitter has field-selectable ranging, input to output isolation.

TECHNICAL SPECIFICATIONS

INPUT SPAN RANGE:

4.5 Hz To 4.5 kHz

INPUT AMPLITUDE:

25 mV rms Minimum
±50 V Peak Maximum

INPUT IMPEDANCE:

5 k Ω

OUTPUT RIPPLE:

5.0 mV rms Maximum

ACCURACY:

± 0.2% Of Span @ 75°F

STANDARD OUTPUT:

4-20 mAdc (600 Ω @ 24 Vdc)
Optional 10-50 mAdc (240 Ω @ 24 Vdc)

POWER:

+12 to +35 Vdc (+24 Vdc nominal)

OPERATING TEMPERATURE RANGE:

-20 to +140°F

AMBIENT TEMPERATURE EFFECT:

± 0.02% of Span / °F Maximum

ISOLATION:

1500 Vrms Maximum



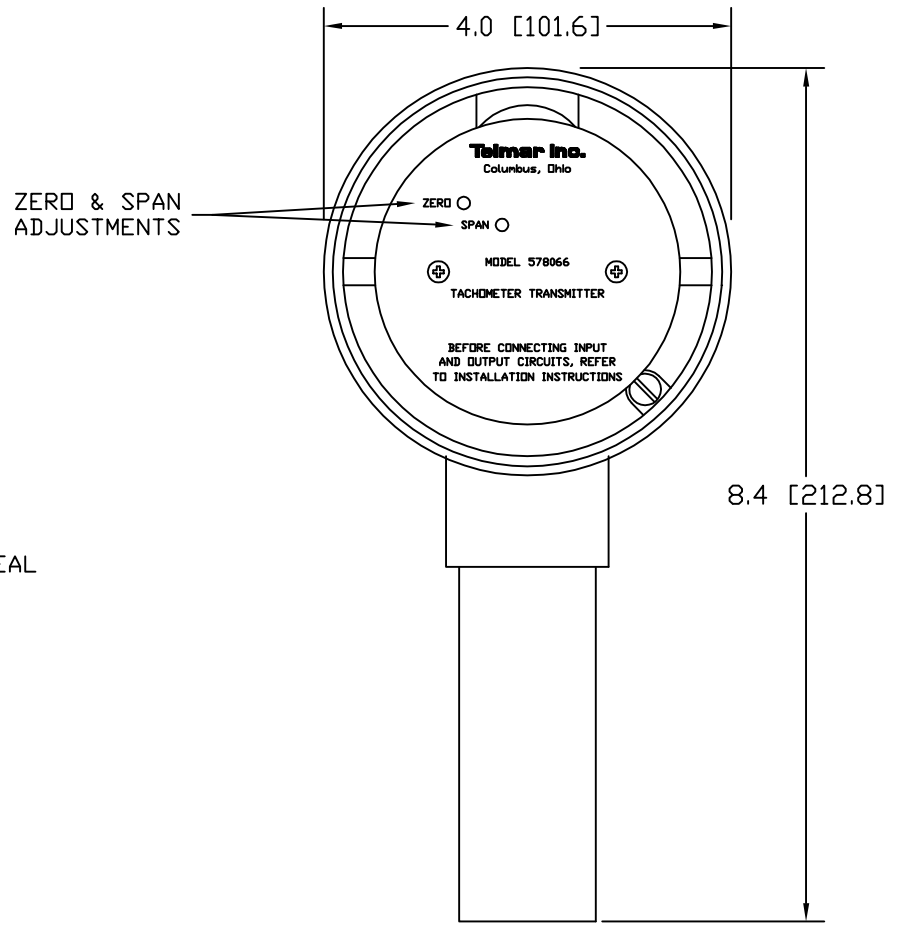
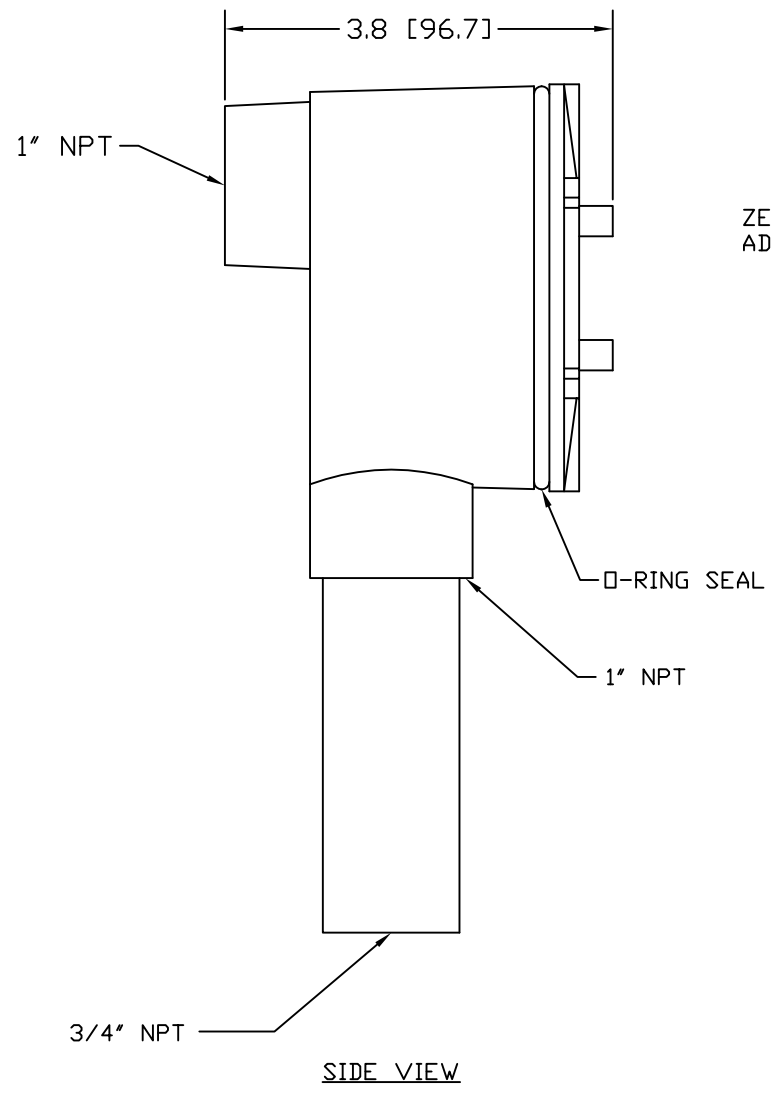
FEATURES

- To Flow Meter
- Box Clamp Connections
- Weather Proof Seal
- Explosion Proof Housing
- Sensitivity Adjustment
- Field Selectable Ranging
- Field Selectable Dampening

OPTIONS

- Reverse Acting Input
- Dry Contact Input (order model number 578966)

| | |
|------------------------|---|
| DWG. NO. SD-C-0172B | |
| REVISIONS | |
| A | INITIAL RELEASE 09/24/96 |
| B | CERT UPDATE 310110316 11/03/2016 RL |



DWG
SD-C-0172B

- NOTES:
1. MEETS HAZARDOUS LOCATIONS STANDARDS;
CLASS I, GROUPS C & D; CLASS II, GROUPS E, F AND G; CLASS III
 2. FINISH "SAFTEY BLUE" POLANE
 3. DIMENSIONS IN INCHES. DIMENSIONS IN "[]" IN MILLIMETERS.

| | | | | |
|---|----------------------|----------|---|--|
| QUOTE OR ORDER NUMBER | | | Analynk Wireless, LLC 790 CROSS POINTE ROAD COLUMBUS, OHIO 43230 | |
| Dimensions in inches unless otherwise specified | | | | |
| UNLESS OTHERWISE SPECIFIED | | | | |
| BASIC DIMENSIONS | FRACTIONAL | DECIMAL | TITLE | |
| UP TO 6 | +/- 1/64 | +/- .005 | TACHOMETER TRANSMITTER | |
| OVER 6 TO 24 | +/- 1/32 | +/- .005 | FOR | |
| OVER 24 | +/- 1/16 | +/- .010 | MODEL 578066 | |
| SCALE | DO NOT SCALE DRAWING | | DRAWN | |
| FULL | WORK TO DIMENSIONS | | DATE | |
| RML | 09/24/96 | | NEXT ASS'Y | |
| CHECKED | DATE | | DWG NO. | |
| APPROVED | DATE | | SD-C-0172B | |

FILE NAME
EU000015.DWG