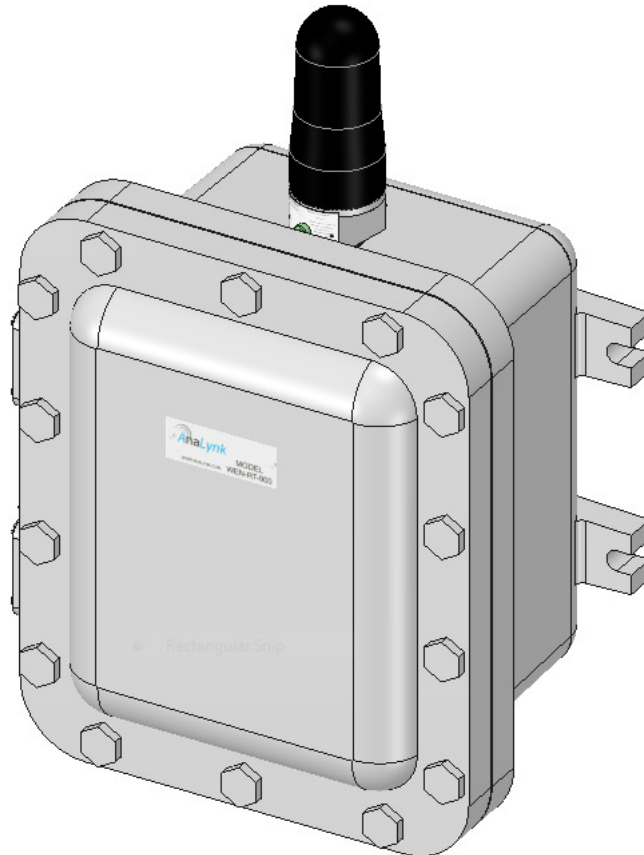


WEN-RT EXPLOSION PROOF WIRELESS ENCLOSURE



The WEN-RT is designed to enclosure wireless transmitters, receivers or transceivers for use in the hazardous area. The enclosure includes a Class 1, Division 1, Groups C & D explosion proof antenna and a cast aluminum explosion proof enclosure. The internal dimensions of the enclosure are 8" H x 6" W x 6" D. The enclosure includes a six inch RF cable to connect the users radio to the antenna*. Optionally, DIN rail can be installed on the internal mounting plate. The bottom of the enclosure includes a 3/4" NPT hole for wiring, a second hole can be provided if required. A range of hazardous area antennas are available for the enclosure.

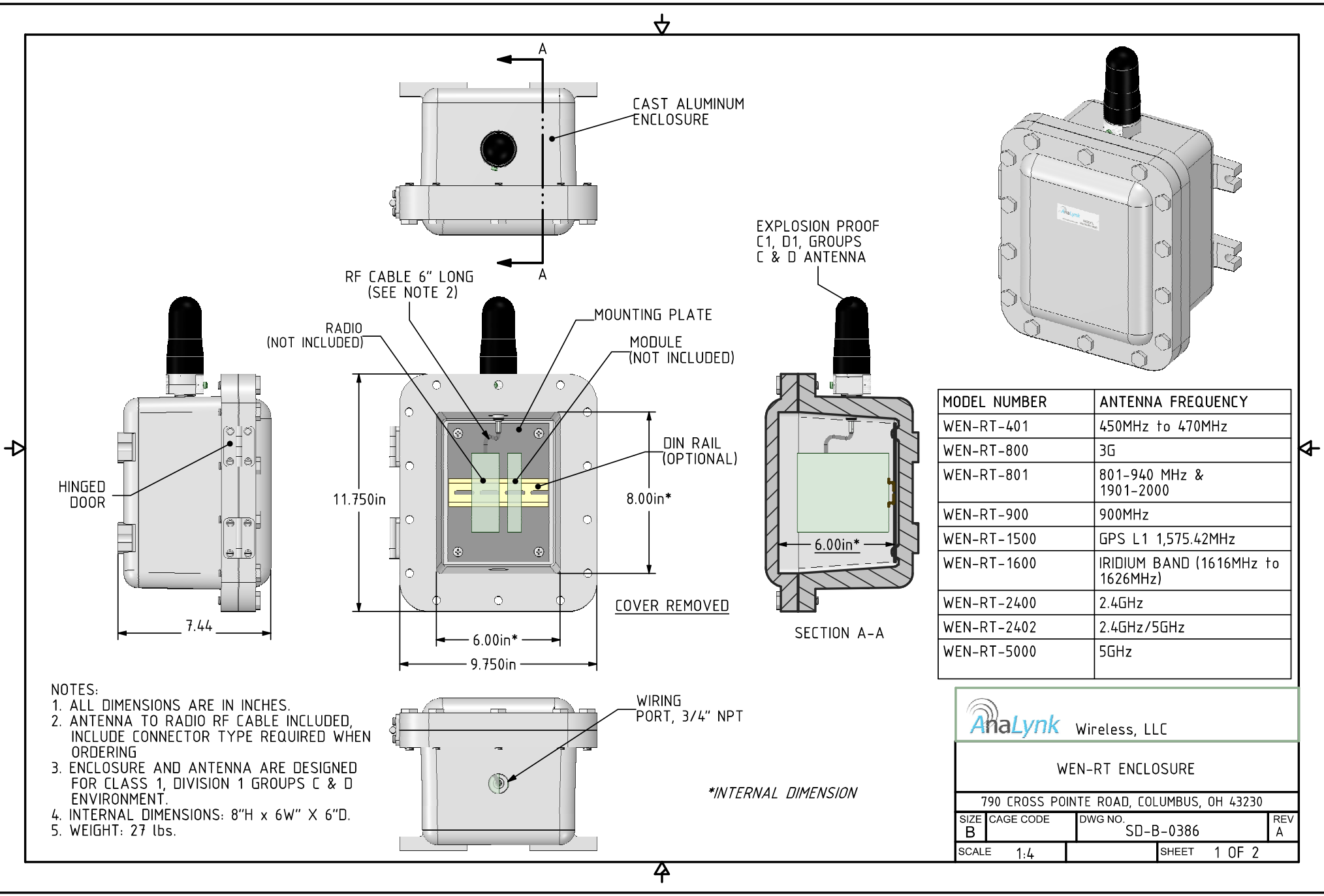
**Specify the RF connector needed for your radio type when ordering.*

Applications:

- Pharmaceuticals
- Oil refineries
- Oil & Gas Platforms
- Chemical Plants

Ordering information:

See drawing SD-B-0386A for listing of applicable part numbers.



- NOTES:
1. ALL DIMENSIONS ARE IN INCHES.
 2. ANTENNA TO RADIO RF CABLE INCLUDED, INCLUDE CONNECTOR TYPE REQUIRED WHEN ORDERING
 3. ENCLOSURE AND ANTENNA ARE DESIGNED FOR CLASS 1, DIVISION 1 GROUPS C & D ENVIRONMENT.
 4. INTERNAL DIMENSIONS: 8"H x 6"W x 6"D.
 5. WEIGHT: 27 lbs.

*INTERNAL DIMENSION

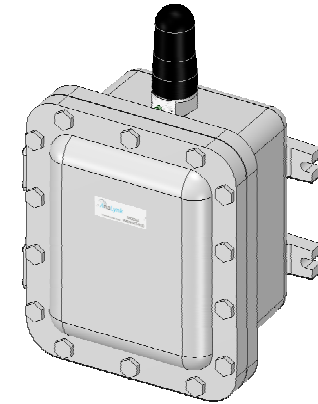
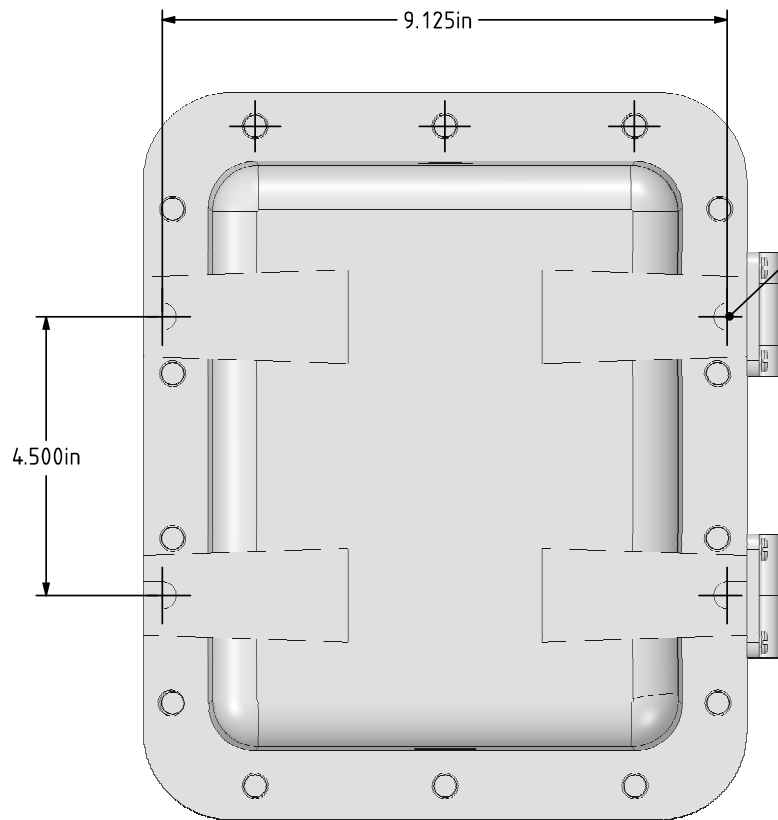
MODEL NUMBER	ANTENNA FREQUENCY
WEN-RT-401	450MHz to 470MHz
WEN-RT-800	3G
WEN-RT-801	801-940 MHz & 1901-2000
WEN-RT-900	900MHz
WEN-RT-1500	GPS L1 1,575.42MHz
WEN-RT-1600	IRIDIUM BAND (1616MHz to 1626MHz)
WEN-RT-2400	2.4GHz
WEN-RT-2402	2.4GHz/5GHz
WEN-RT-5000	5GHz

AnaLynk Wireless, LLC

WEN-RT ENCLOSURE

790 CROSS POINTE ROAD, COLUMBUS, OH 43230

SIZE B	CAGE CODE	DWG NO. SD-B-0386	REV A
SCALE 1:4	SHEET 1 OF 2		



SCALE 1:5

WEN-RT ENCLOSURE MOUNTING			
SIZE B	CAGE CODE	DWG NO. SD-B-0386	REV A
SCALE 0.5X		SHEET 2 OF 2	