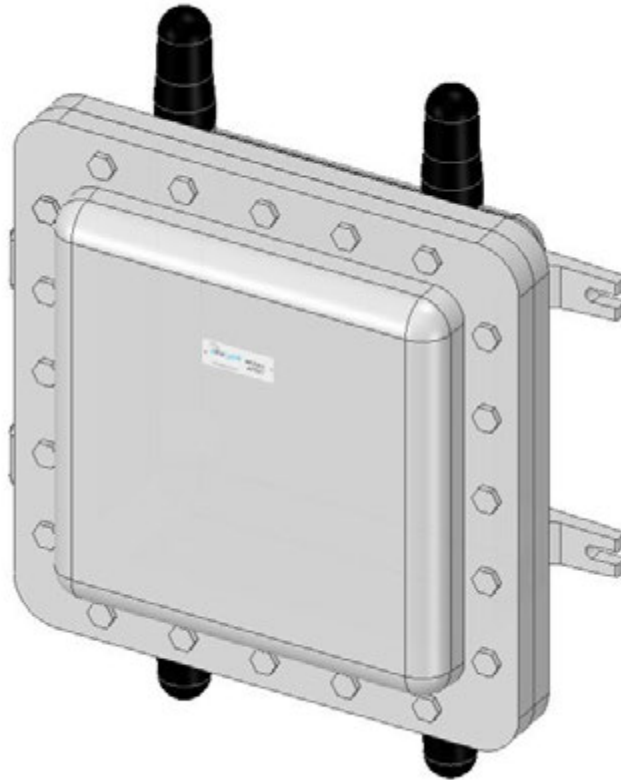


---

## **AP627 DUAL-BAND HAZARDOUS AREA ACCESS POINT ENCLOSURE FOR ARUBA AP-534**



---

The AP627 is designed to house the Aruba AP-534 dual band access point for use in hazardous areas. The enclosure, all hardware, and antennas are rated for Class I, Div 1, groups C & D Hazardous Locations. All hardware, mounting plate, antennas and RF cables are provided to make installation of the access point quick and easy. The enclosure utilizes our proprietary explosion proof CTX series of antennas, four dual band 2.4GHz/5GHz are included.

**Ratings:**

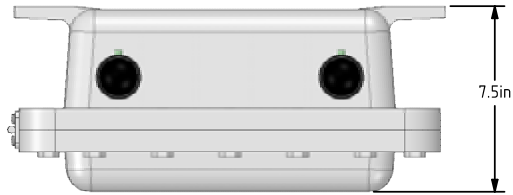
Class I, Div 1 Groups, C & D

**Applications:**

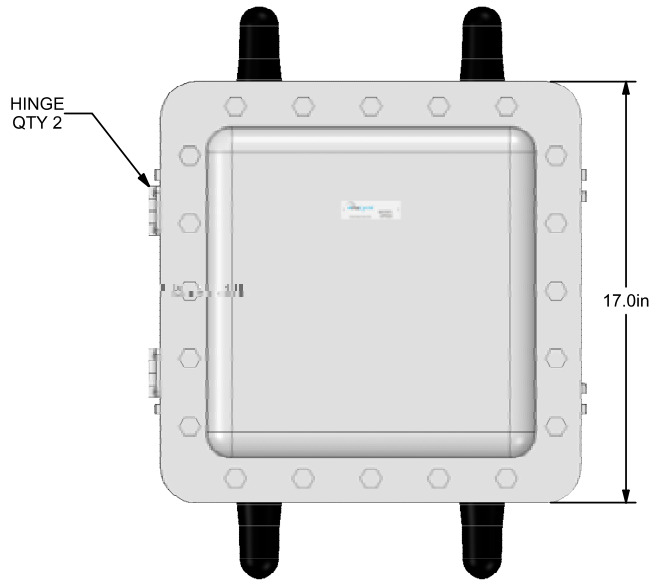
- Pharmaceuticals
- Oil refineries
- Oil & Gas Platforms
- Chemical Plants

**Ordering information:**

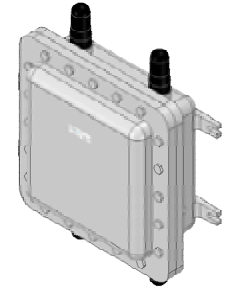
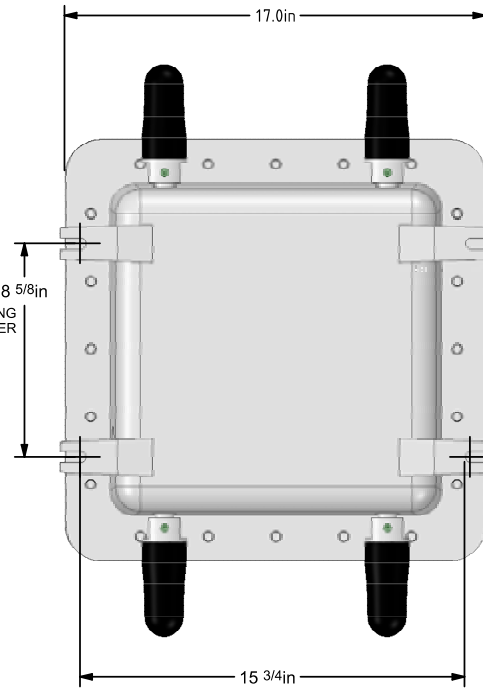
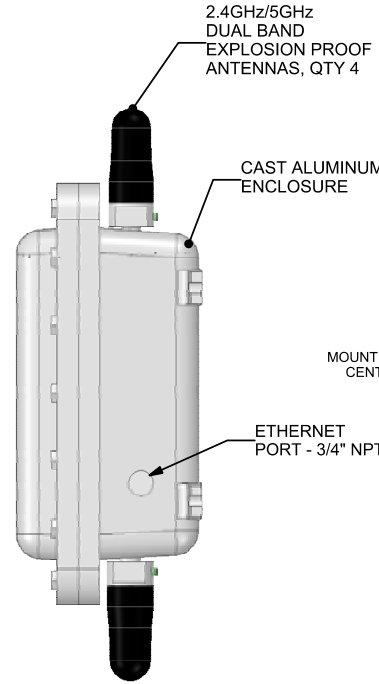
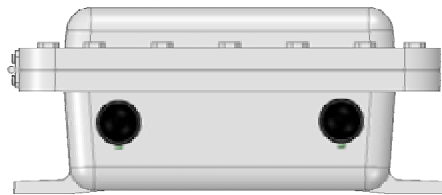
AP627  
AP627-N4 (NEMA 4 option)  
AP627-ATEX (ATEX Zone 1 option)



7.5in



17.0in



SCALE 1:10

- NOTES:
1. ENCLOSURE FOR ARUBA AP-534.
  2. EXPLOSION PROOF ENCLOSURE AND ANTENNAS RATED FOR CLASS I DIVISION 1, GROUPS C & D.
  3. NEMA 4X RATING OPTIONAL.
  4. WEIGHT: 76 LBS.

AnaLynk Wireless, LLC 790 CROSS POINTE ROAD, COLUMBUS, OH 43230			
<b>AP627 FOR ARUBA AP-534</b>			
SIZE <b>B</b>	CAGE CODE	DWG NO. <b>SD-B-0409</b>	REV <b>A</b>
SCALE 0.2X		SHEET	