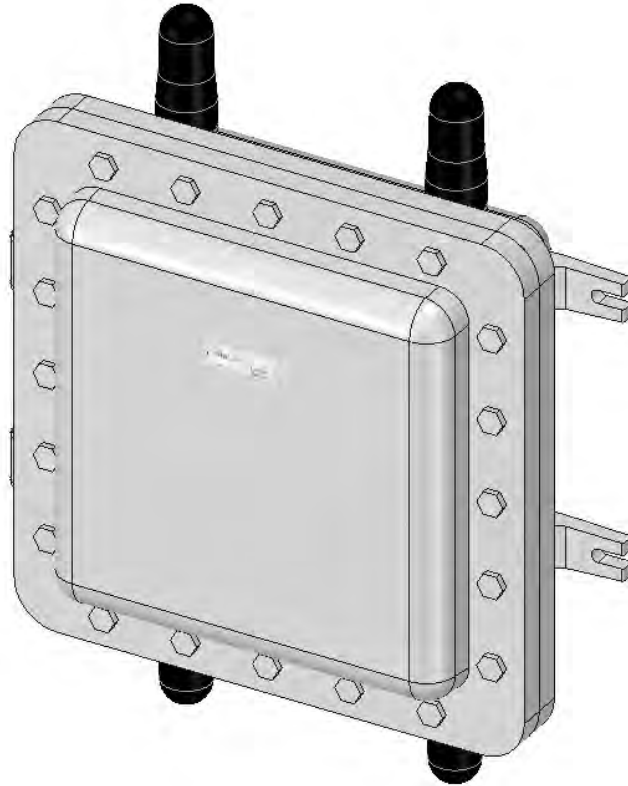


AP624 DUAL-BAND HAZARDOUS AREA ACCESS POINT ENCLOSURE FOR ARUBA AP-334



The AP624 is designed to house the Aruba AP-334 dual band access point for use in hazardous areas. The enclosure, all hardware, and antennas are rated for Class I, Div 1, groups C & D Hazardous Locations. All hardware, mounting plate, antennas and RF cables are provided to make installation of the access point quick and easy. The enclosure utilizes our proprietary explosion proof CTX series of antennas, four dual band 2.4GHz/5GHz are included.

Ratings:

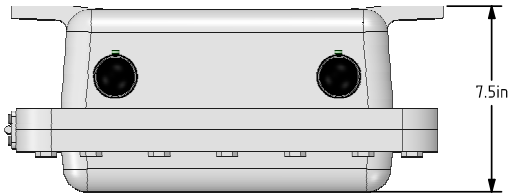
Class I, Div 1 Groups, C & D

Applications:

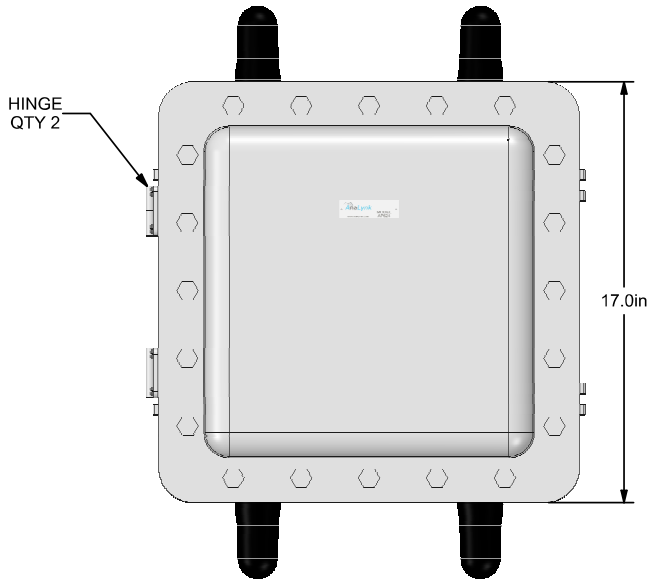
- Pharmaceuticals
- Oil refineries
- Oil & Gas Platforms
- Chemical Plants

Ordering information:

AP624
AP624-N4 (NEMA 4 option)
AP624-ATEX (ATEX Zone 1 option)

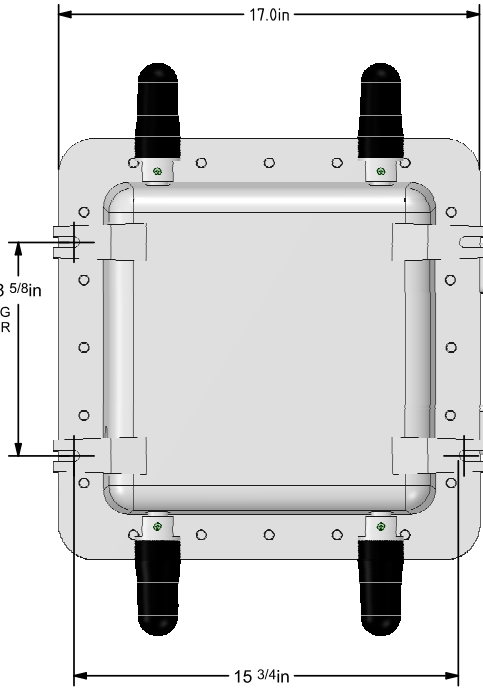
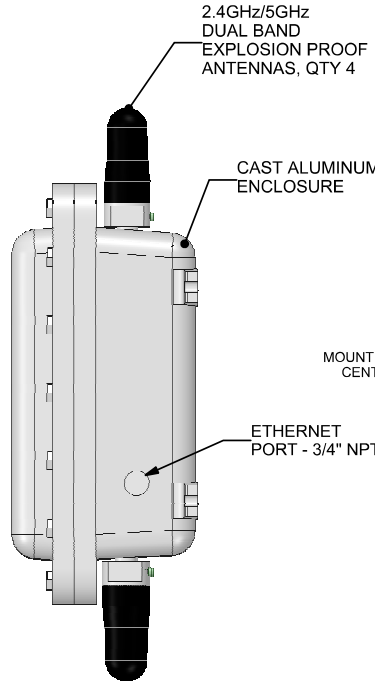
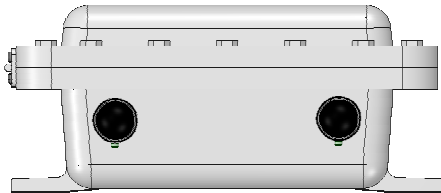


7.5in



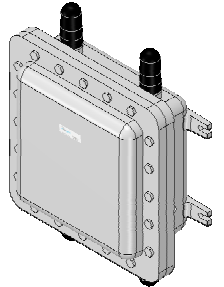
17.0in

HINGE
QTY 2



8 5/8in
MOUNTING
CENTER

15 3/4in
MOUNTING CENTER
MOUNT WITH
1/2IN BOLTS



SCALE 1:10

- NOTES:
1. ENCLOSURE FOR ARUBA AP-334.
 2. EXPLOSION PROOF ENCLOSURE AND ANTENNAS RATED FOR CLASS I DIVISION 1, GROUPS C & D.
 3. NEMA 4X RATING OPTIONAL.
 4. WEIGHT: 76 LBS.

790 CROSS POINTE ROAD, COLUMBUS, OH 43230			
AP624 FOR ARUBA AP-334			
SIZE B	CAGE CODE	DWG NO. SD-B-0390	REV A
SCALE 0.2X			SHEET