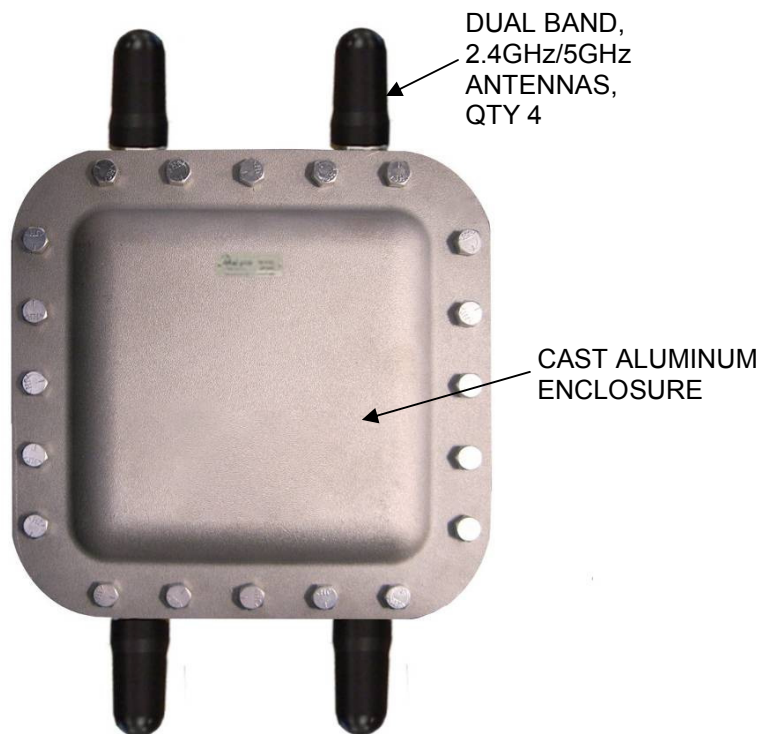

AP623 DUAL-BAND HAZARDOUS AREA ACCESS POINT ENCLOSURE FOR ARUBA AP-314



The AP623 is designed to house the Aruba AP-314 dual band access point for use in hazardous areas. The enclosure, all hardware, and antennas are rated for Class I, Div 1, groups C & D Hazardous Locations. All hardware, mounting plate, antennas and RF cables are provided to make installation of the access point quick and easy. The enclosure utilizes four of our proprietary explosion proof dual band 2.4GHz/5GHz antennas.

Ratings:

Class I, Div 1 Groups, C & D

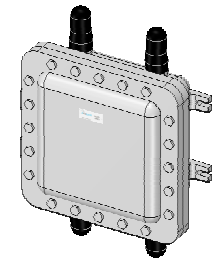
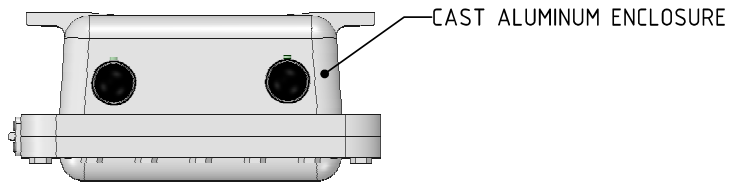
Applications:

- Pharmaceuticals
- Oil refineries
- Oil & Gas Platforms
- Chemical Plants

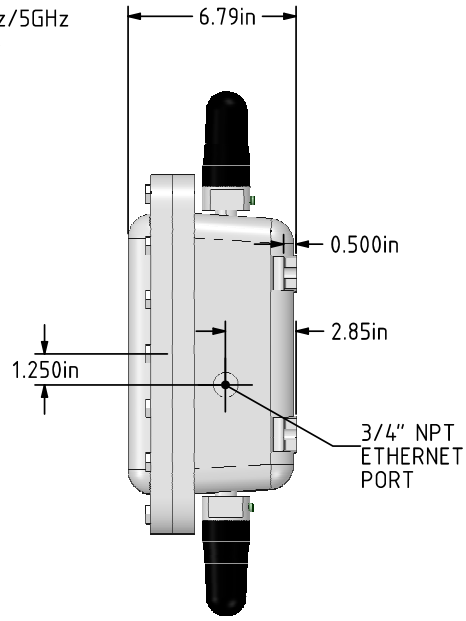
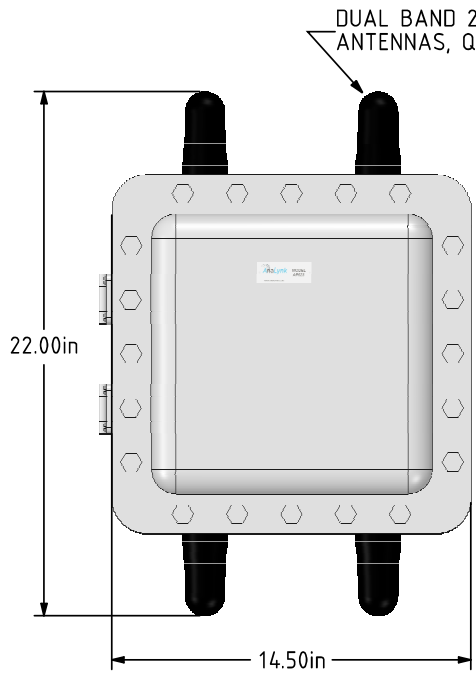
Ordering information:

AP623
AP623-N4 (NEMA 4 option)
AP623-ATEX (ATEX Zone 1 option)

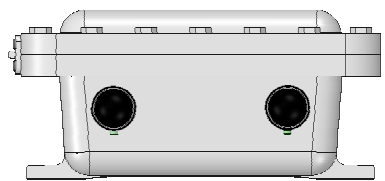
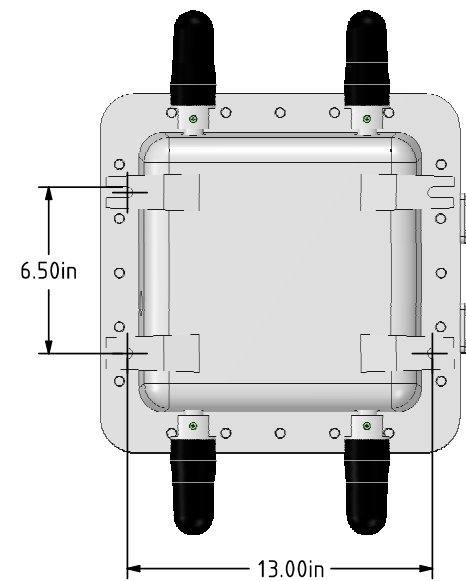
A: RELEASED 2/15/2017
RML



DUAL BAND 2.4GHz/5GHz
ANTENNAS, QTY 4



MOUNTING DIMENSIONS



- NOTES:
1. AP623 ACCESS POINT ENCLOSURE FOR ARUBA AP-314, RATINGS: CLS 1, DIV 1.
 2. ANTENNAS: CLS 1, DIV1 GROUPS C & D EXPLOSION PROOF 2.4GHz/5GHz, DUAL BAND QUANTITY FOUR.
 3. WEIGHT: 45 LBS, MOUNT WITH FOUR 3/8" LUG BOLTS.
 4. OPTIONS: NEMA 4 RATING P/N AP-623 N4; ATEX ZONE 1 RATING: AP623-ATEX.

790 Cross Pointe Road, Columbus, OH 43230			
SIZE B	CAGE CODE	DWG NO. SD-B-0383A	REV A
SCALE N/A		SHEET	

