

AP620 DUAL-BAND HAZARDOUS AREA ACCESS POINT ENCLOSURE FOR MOTOROLA/ZEBRA AP-7532



The AP620 is a hazardous area enclosure designed to house the Motorola / Zebra AP-7532 dual band access point. The enclosure, all hardware, and antennas are rated for Class I, Div 1, groups C & D Hazardous Locations. All hardware, mounting plate, antennas and RF cables are provided to make installation of the access point quick and easy. The enclosure utilizes our proprietary explosion proof CTX series of antennas and includes three dual band 2.4GHz/5GHz antennas, AP-7532 access point is not included.

Ratings:

Class 1, Div 1 Groups, C & D

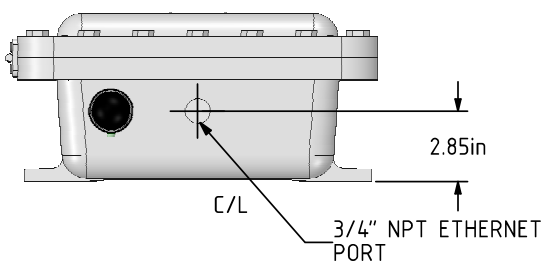
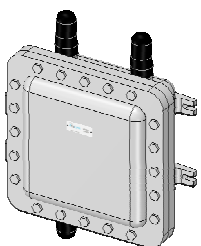
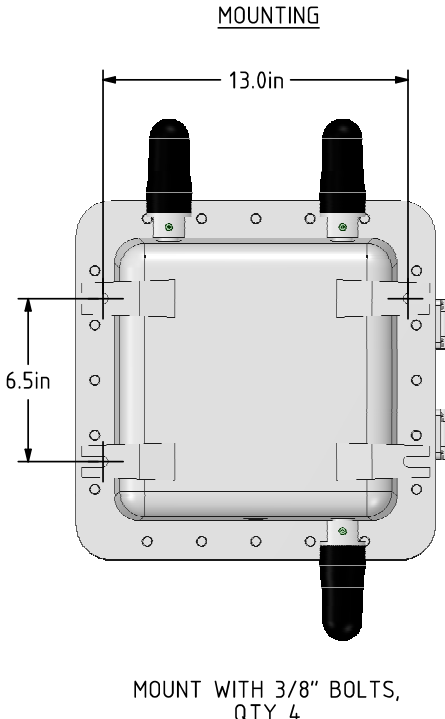
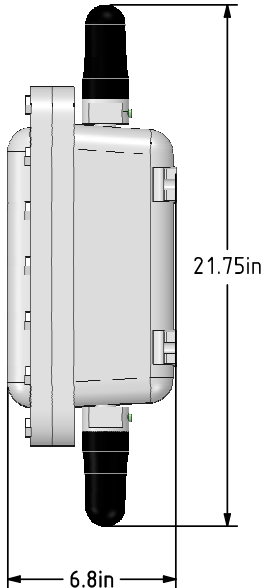
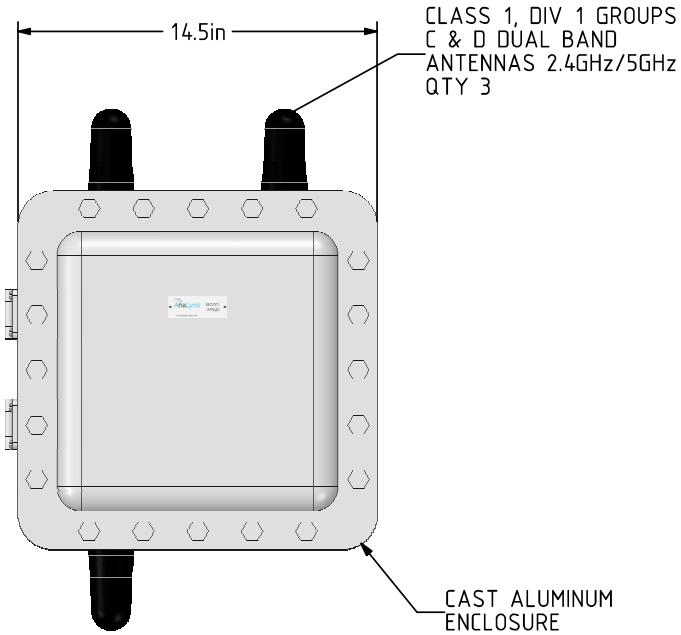
Applications:

- Pharmaceuticals
- Oil refineries
- Oil & Gas Platforms
- Chemical Plants

Ordering information:

AP620
AP620-N4 (NEMA 4 rating)
AP620-ATEX (ATEX Zone 1 rating)

B: UPDATED DRAWING TO NEW FORMAT
04/20/2017 RL



- NOTES:
1. ACCESS POINT ENCLOSURE FOR MOTOROLA/ZEBRA AP-7532.
RATINGS: CLS 1, DIV1, GROUPS C & D.
 2. ANTENNAS: EXPLOSION PROOF: CLS 1, DIV 1, GROUPS C & D, P/N CTX-2402-TR DUAL BAND QTY 3.
 3. ENCLOSURE INCLUDES INTERNAL RF CABLES AND MOUNTING PLATE.
 4. ALL DIMENSIONS ARE IN INCHES.

AnaLynk Wireless, LLC			
AP620 ENCLOSURE FOR MOTOROLA AP-7532			
SIZE B	CAGE CODE	DWG NO. SD-B-0375	REV B
SCALE 0.5X			SHEET