

AP619 DUAL-BAND HAZARDOUS AREA ACCESS POINT ENCLOSURE FOR ARUBA AP-324



The AP619 hazardous area enclosure houses the Aruba AP-324 dual band access point for use in the hazardous areas. The enclosure and antennas are designed for use in Class I, Division 1 group C & D areas. All hardware, mounting plate, antennas and RF cables are provided to make installation quick and easy. The enclosure utilizes our proprietary explosion proof CTX series of antennas and includes four 2.4GHz/5GHz dual band antennas. The access point is not included with the enclosure.

Ratings:

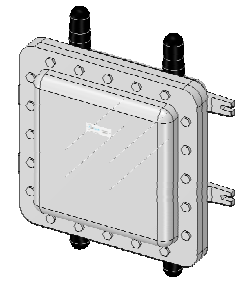
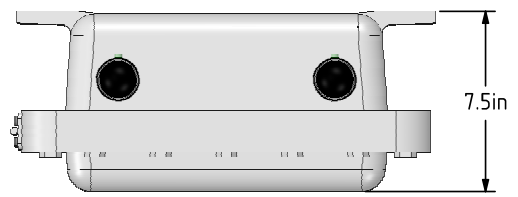
Class I, Div 1 Groups, C & D

Applications:

- Pharmaceuticals
- Oil refineries
- Oil & Gas Platforms
- Chemical Plants

Ordering information:

AP619
AP619-N4 (NEMA 4X rating)

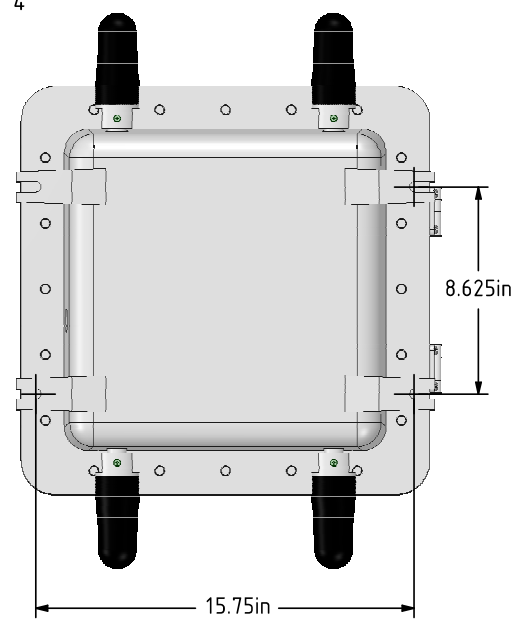
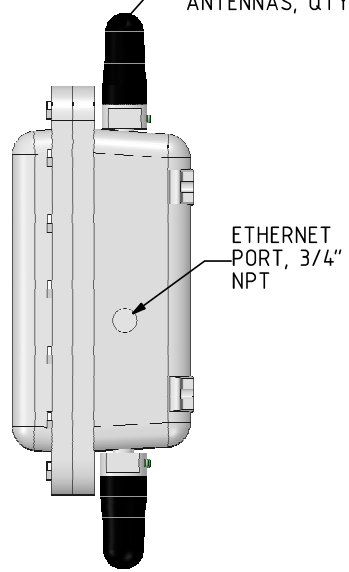
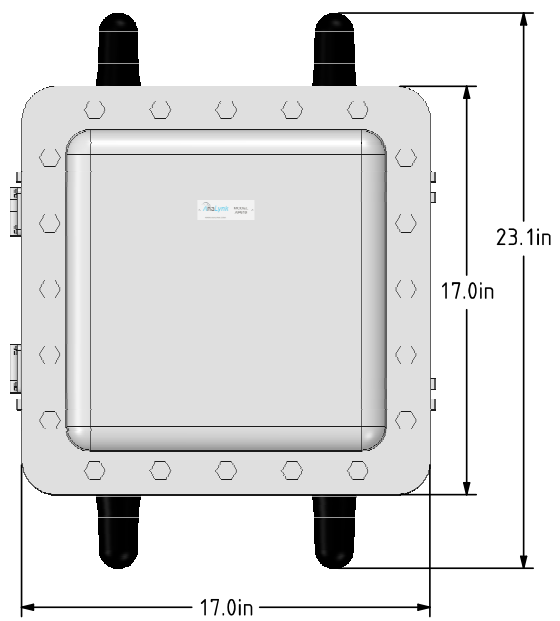
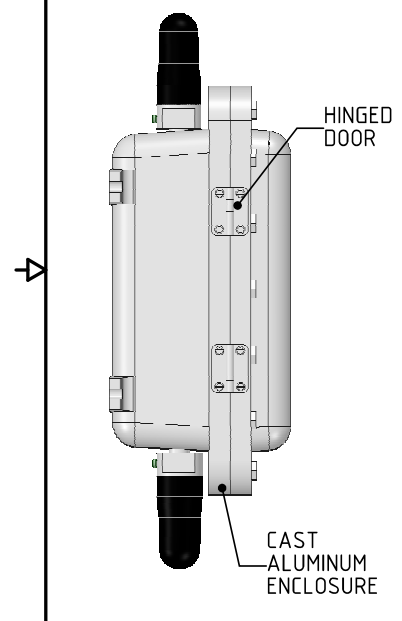


REVISION A
01/19/2016
RML

06/01/2016
ADDED STD
CONSTRUCTION
NOTE. RML

SCALE 1:10


2.4GHz/5GHz
DUAL BAND
ANTENNAS, QTY 4



MOUNTING: MOUNT WITH
1/2" BOLTS

NOTES:

1. ACCESS POINT ENCLOSURE FOR ARUBA AP-324, RATINGS: CLS1, DIV1 GROUPS C & D.
2. ANTENNAS: CLS 1, DIV1 GROUPS C & D EXPLOSION PROOF 2.4GHz/5GHz DUAL BAND.

			
790 Cross Pointe Road, Columbus, OH 43230			
SIZE B	CAGE CODE	DWG NO. SD-B-0380	REV A
SCALE .2X	SHEET		1 of 1