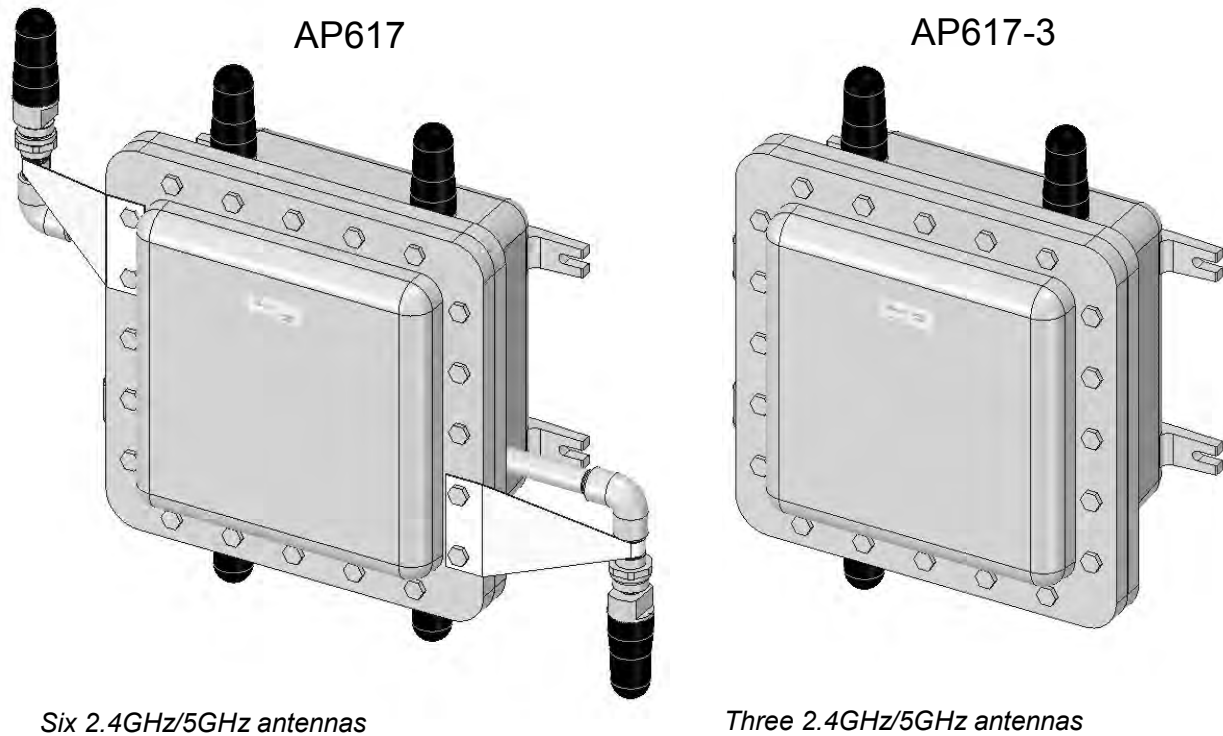


AP617 DUAL-BAND HAZARDOUS AREA ACCESS POINT ENCLOSURE FOR ARUBA AP-274 & AP-374



The AP617 is designed to house the Aruba AP-274 or AP-374 dual band access point for use in the hazardous areas. The enclosure, all hardware, and antennas are rated for Class I, Div 1, groups C & D Hazardous Locations. All hardware, mounting plate, antennas and RF cables are provided to make installation of the access point quick and easy. The enclosure utilizes our proprietary explosion proof CTX series of antennas (quantity six). An optional three antenna (2.4GHz/5GHz) version is available model A617-3.

Ratings:

Class I, Div 1 Groups, C & D

Applications:

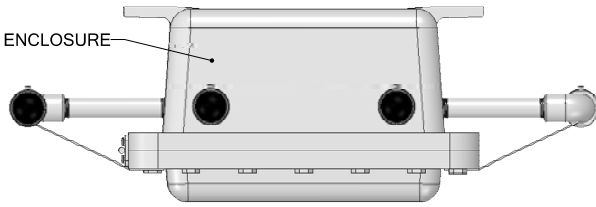
- Pharmaceuticals
- Oil refineries
- Oil & Gas Platforms

Ordering information:

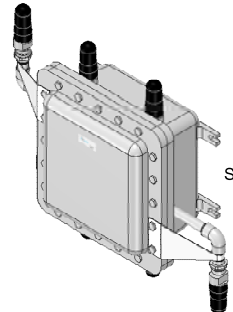
AP617 (six antennas)
AP617-N4 (NEMA 4 option)
AP617-ATEX (ATEX Zone 1 option)

AP617-3 (three antennas)
AP617-3-N4 (NEMA 4 option)
AP617-3-ATEX (ATEX Zone 1 option)

CAST ALUMINUM ENCLOSURE



REV	DESCRIPTION	INCORP BY	DATE	CHECKED



SCALE 1:6

ANTENNAS: CLASS 1, DIVISION 1, GROUPS C & D, QUANTITY 6 (SEE NOTE 2)

D

D

C

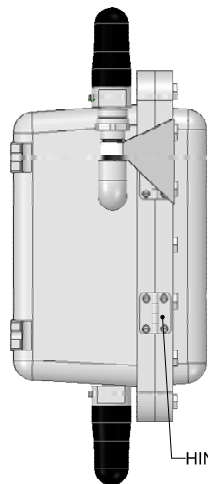
C

B

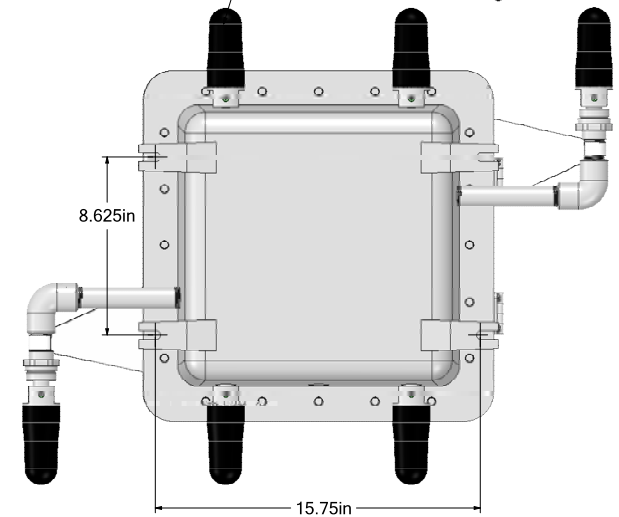
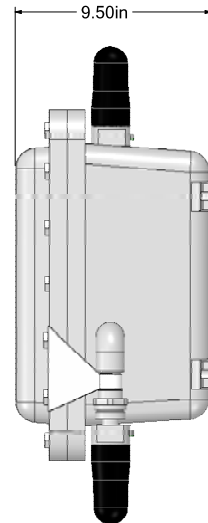
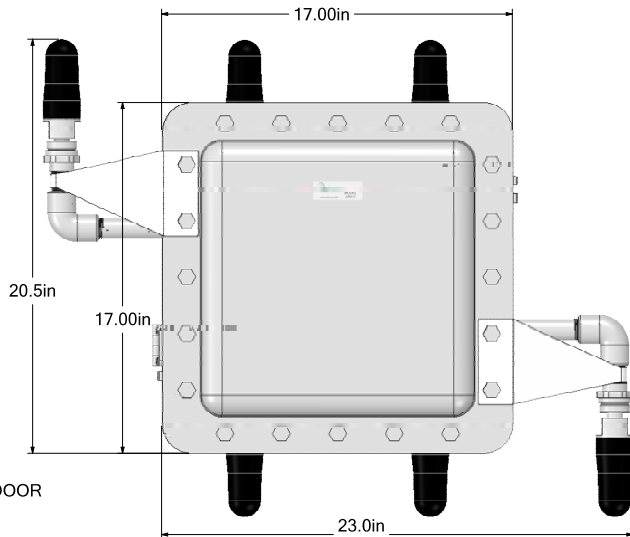
B

A

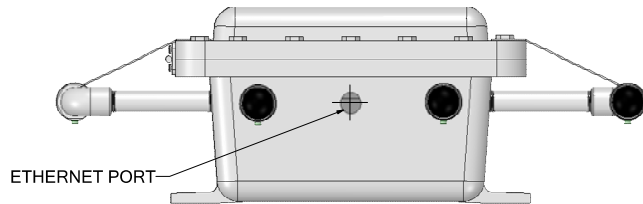
A



HINGED DOOR



MOUNTING DIMENSIONS
MOUNT WITH 1/2" LUG BLOTS,
QTY 4



ETHERNET PORT

- NOTES:
1. MODEL AP617 ACCESS POINT ENCLOSURE FOR ARUBA AP-274 OR AP-374, RATINGS CLS I, DIV 1 GROUPS C & D, ATEX ZONE 1 CERTIFICATION AND NEMA 4X OPTIONAL.
 2. SIX ANTENNA MODEL PART NUMBER: AP617, THREE ANTENNA MODEL AP617-3.
 3. ALL DIMENSIONS ARE IN INCHES.
 4. WEIGHT: 90 LBS, WITHOUT ACCESS POINT.

<p>THIRD ANGLE PROJECTION</p>	CONTRACT NO.	MATERIAL
		FINISH
		TREATMENT
		SIMILAR TO
	NEXT ASSY	USED ON
	APPLICATION	

PARTS LIST			NUMERICAL INDEX		
INIT	APPROVALS	DATE	INIT	APPROVALS	DATE

		790 CROSS POINTE ROAD, COLUMBUS, OH 43230, U.S.A	
TITLE AP617 HAZARDOUS AREA ENCLOSURE FOR ARUBA AP-274/AP-374			
SIZE	DWG CODE	DWG NO.	REV
D		SD-D 0367	E
SCALE	1/3	SHEET	1 OF 2

CAST ALUMINUM ENCLOSURE

ANTENNAS: CLASS 1,
DIVISION 1, GROUPS C & D,
QUANTITY 3

SCALE 1:6

D

D

C

C

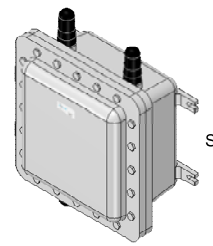
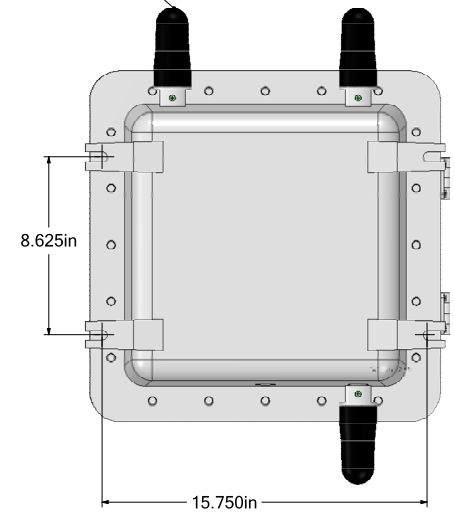
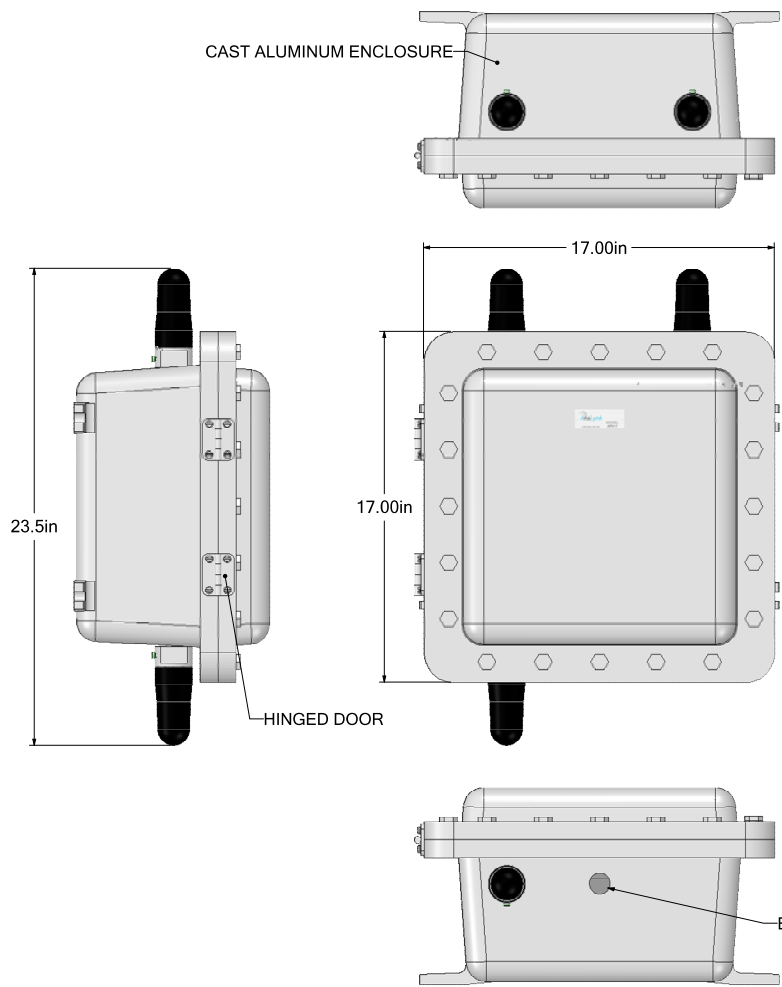
B

B

A

A

REV	DESCRIPTION	INCORP BY	DATE	CHECKED



NOTES:
1. MODEL AP617-3 ACCESS POINT ENCLOSURE FOR ARUBA AP-274, RATINGS CLS I, DIV 1 GROUPS C & D, ATEX ZONE 1 AND NEMA 4X CERTIFICATION OPTIONAL.

- 2. THREE ANTENNA MODEL AP617-3, SIX ANTENNA MODEL AP617.
- 3. ALL DIMENSIONS ARE IN INCHES.
- 4. WEIGHT: 83 LBS.

PART LIST			PART NO.			DESCRIPTION		
INIT	APPROVALS	DATE	INIT	APPROVALS	DATE	QTY	ITEM	DESCRIPTION

CONTRACT NO.	MATERIAL
FINISH	TREATMENT
SIMILAR TO	
NEXT ASSY	USED ON
APPLICATION	

THIRD ANGLE PROJECTION	

ANALYNK Wireless, LLC	790 CROSS POINTE ROAD, COLUMBUS, OH 43230
TITLE	AP617-3 HAZARDOUS AREA ENCLOSURE FOR ARUBA AP-274/AP-374
SIZE	D
CAGE CODE	
DWG NO.	SD-D 0367
SCALE	1/3
SHEET	2 OF 2

