

**AP610 DUAL-BAND
HAZARDOUS AREA ACCESS POINT ENCLOSURE
FOR ARUBA AP-204 AND IAP-204**



The AP610 hazardous area enclosure houses the Aruba AP-204 or IAP-204 dual band access points for use in the hazardous areas. The enclosure and antennas are designed for use in Class I, Division 1 group C & D areas. All hardware, mounting plate, antennas and RF cables are provided to make installation quick and easy. The enclosure utilizes our proprietary explosion proof CTX series of antennas and includes two 2.4GHz/5GHz dual band antennas. The access point is not included with the enclosure.

Ratings:

Class I, Div 1 Groups, C & D

Applications:

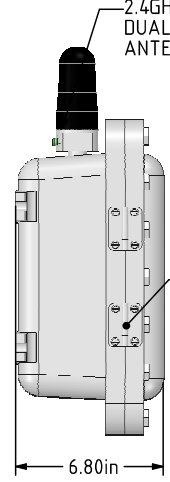
- Pharmaceuticals
- Oil refineries
- Oil & Gas Platforms
- Chemical Plants

Ordering information:

AP610
AP610-N4 (NEMA 4X rating)

REVISIONS
 C - CONVERTED TO
 3D DRAWING
 09/02/2016 RML

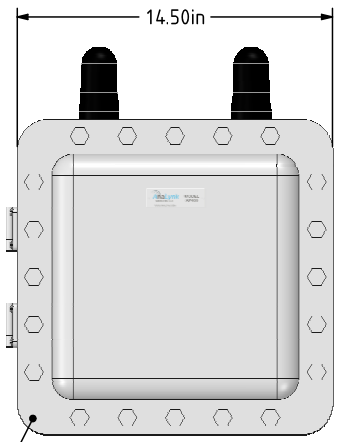
CLASS I DIV 1
 GROUPS C & D,
 2.4GHz/5GHz
 DUAL BAND
 ANTENNAS, QTY 2



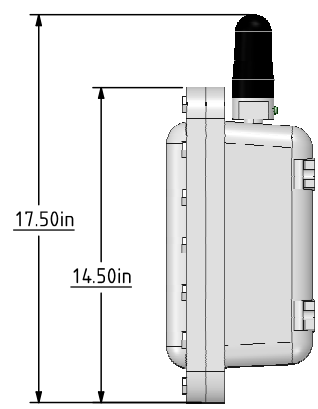
HINGED
 COVER

CAST ALUMINUM
 ENCLOSURE

6.80in



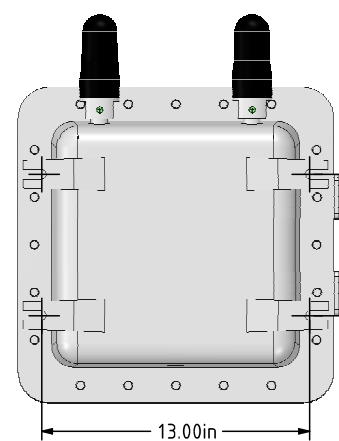
14.50in



17.50in

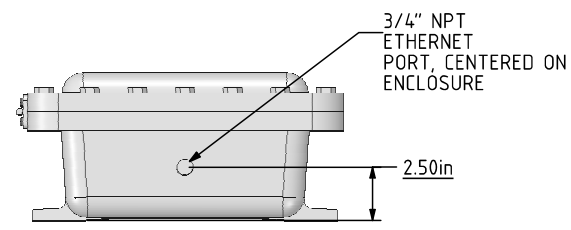
14.50in

MOUNTING DIMENSIONS
 MOUNT WITH 3/8" BOLTS



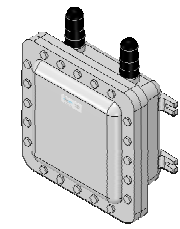
6.50in

13.00in



3/4" NPT
 ETHERNET
 PORT, CENTERED ON
 ENCLOSURE

2.50in



- NOTES:
 1. ACCESS POINT ENCLOSURE FOR ARUBA AP610 AND IAP-610, RATINGS: CLS I DIV 1.
 2. ANTENNAS: CLS I, DIV1 GROUPS C & D EXPLOSION PROOF 2.4GH/5GHZ, DUAL BAND QUANTITY TWO.
 3. WEIGHT: 60 LBS.

AnaLynk Wireless, LLC			
790 Cross Pointe Road, Columbus, OH 43230			
SIZE	CAGE CODE	DWG NO.	REV
B		SD-B-0357	C
SCALE	.2x		SHEET