

## AP605 Explosion Proof Access Point Enclosure For Aruba AP-104



The AP605 is a hazardous area enclosure designed to house the Aruba AP-104 dual band access point. The enclosure and antennas are rated for Class 1, Div 1, groups C & D Hazardous Locations. All hardware, mounting plate, and RF cables are provided to make installation of the access point quick and easy. The enclosure includes two of our patented hazardous area CTX series 2.4GHz antennas and two 5GHz antennas, the AP-104 is not included.

### Ratings:

Class 1, Div 1 Groups, C & D  
ATEX Zone 1 optional

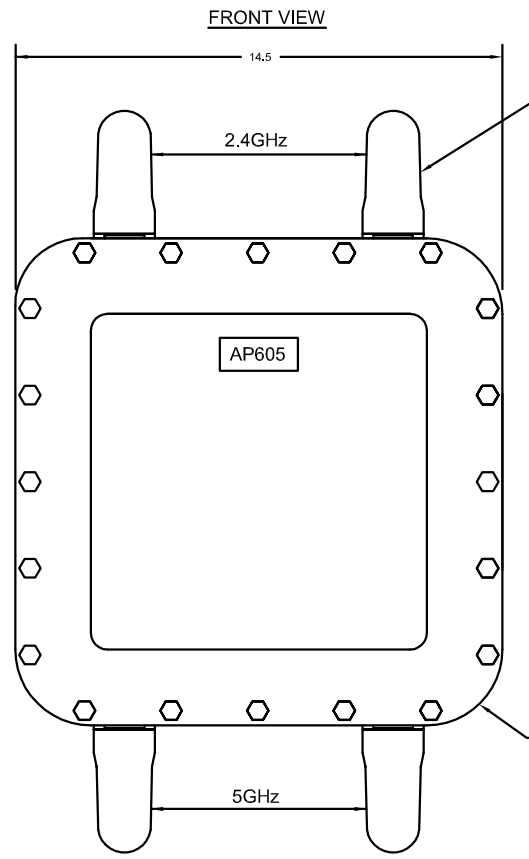
### Applications:

- Pharmaceuticals
- Oil refineries
- Oil & Gas Platforms
- Chemical Plants

### Ordering information:

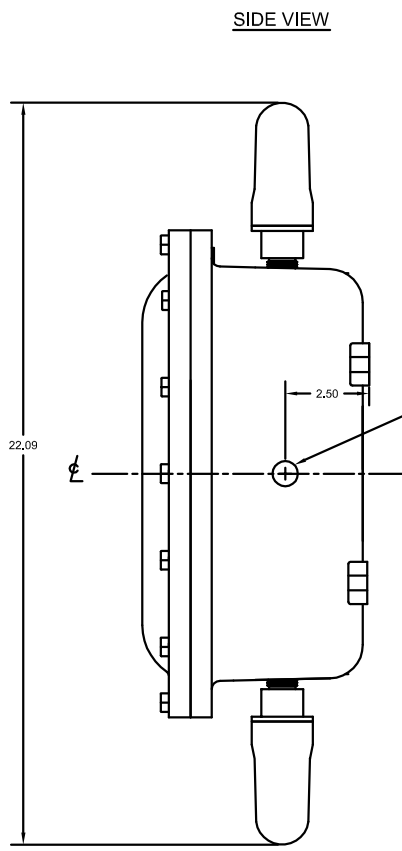
AP605  
AP605-ATEX

DWG. NO. SD-D-0339C	
REVISIONS	
B	RELOCATED ETHERNET PORT (SEE REV. B)
C	ROTATED MOUNTING SUPPORT BY 90 DEGREES



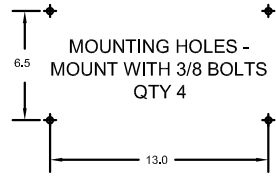
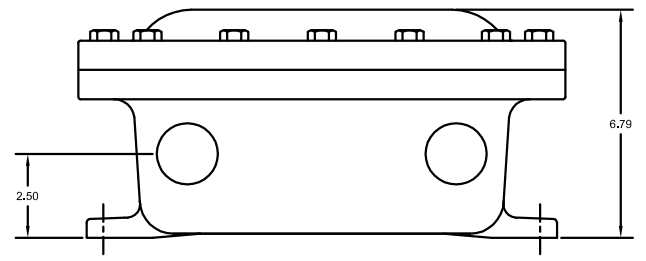
CLASS 1, DIV 1, GROUP C&D ANTENNAS QTY 4.

CAST ALUMINUM ENCLOSURE



3/4" NPT ETHERNET PORT

BOTTOM VIEW



**NOTES:**

1. ACCESS POINT ENCLOSURE FOR: ARUBA AP-104 RATING: CLS 1, DIV 1, GROUPS C & D.
2. ANTENNAS, EXPLOSION PROOF: CLS 1, DIV 1, GROUPS C & D CTX-2400-TR QTY 2, CX-5000-TF QTY 2.
3. ENCLOSURE INCLUDES INTERNAL RF CABLES AND MOUNTING PLATE.
4. ALL DIMENSIONS ARE IN INCHES.

DWG SD-D-0339C

QUOTE OR ORDER NUMBER		<b>Analylnk Wireless, LLC</b> 790 CROSS POINTE ROAD COLUMBUS, OHIO 43230	
DRAWN BY		DATE	
CHECKED BY		DATE	
APPROVED BY		DATE	
TITLE		FOR	
AP605 ENCLOSURE		ARUBA AP-104	
FILE NAME	NEXT ASSY	DWG NO.	
SD-D-0339C.DWG		SD-D-0339C	