

**AP603 DUAL-BAND
HAZARDOUS AREA ACCESS POINT ENCLOSURE
FOR ARUBA AP-124**



The AP603 is a hazardous area enclosure designed to house the Aruba AP-124 dual band access point. The enclosure, all hardware, and antennas are rated for Class 1, Div 1, groups C & D Hazardous Locations. All hardware, mounting plate, antennas and RF cables are provided to make installation of the access point quick and easy. The enclosure utilizes our proprietary explosion proof CTX series of antennas and includes three dual band 2.4GHz/5GHz antennas, AP-124 access point is not included.

Ratings:

Class 1, Div 1 Groups, C & D

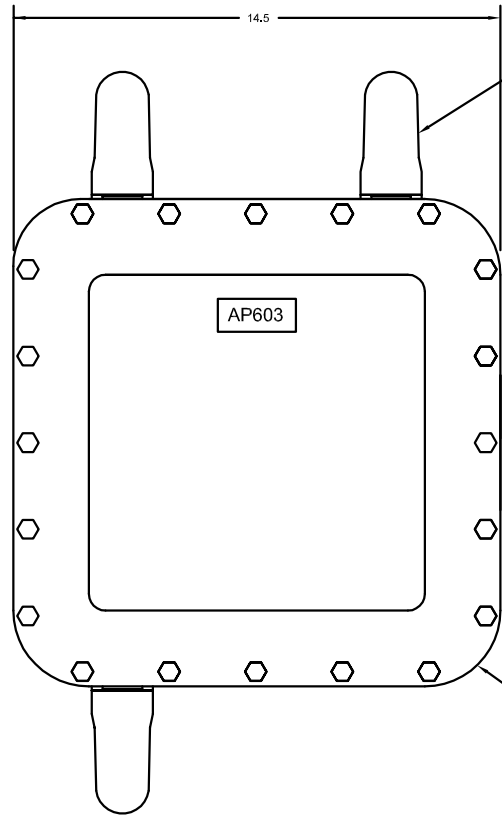
Applications:

- Pharmaceuticals
- Oil refineries
- Oil & Gas Platforms
- Chemical Plants

Ordering information:

A603

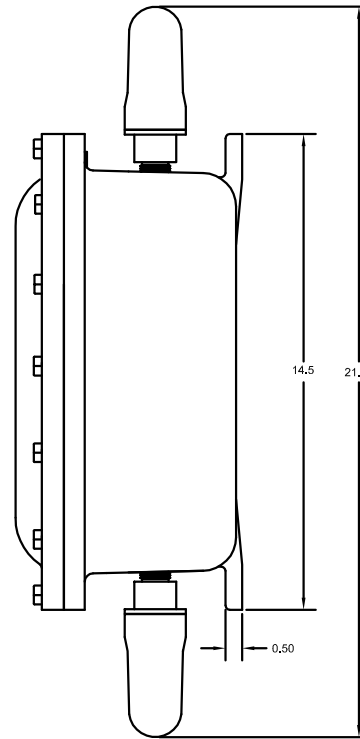
FRONT VIEW



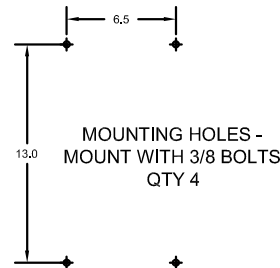
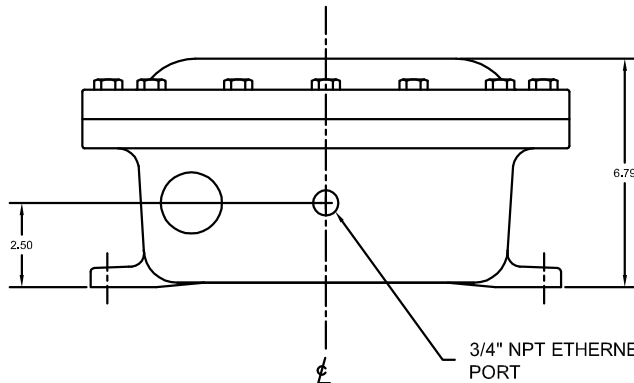
CLASS 1, DIV 1, GROUPS
 C & D DUAL BAND
 ANTENNAS 2.4GHz/5GHz
 QTY 3.

CAST ALUMINUM
 ENCLOSURE

SIDE VIEW



BOTTOM VIEW



NOTES:

1. ACCESS POINT ENCLOSURE FOR: ARUBA AP-124
 RATING: CLS 1, DIV 1, GROUPS C & D.
2. ANTENNAS, EXPLOSION PROOF: CLS 1, DIV 1, GROUPS C & D
 CTX-2402-TR (2.4GHz/5GHz, QTY 3).
4. ENCLOSURE INCLUDES INTERNAL RF CABLES AND MOUNTING PLATE.
 MOUNTING PLATE REQUIRES AP-124 WALL MOUNT BRACKET (NOT INCLUDED).
3. ALL DIMENSIONS ARE IN INCHES.

QUOTE OR ORDER NUMBER			Analynk Wireless, LLC 790 CROSS POINTE ROAD COLUMBUS, OHIO 43230	
DATE			DATE	
DRAWN			DATE	
CHECKED			DATE	
APPROVED			DATE	
FILE NAME SD-D-0329A.DWG			NEXT ASSY DWG NO. SD-D-0329A	
TITLE AP603 ENCLOSURE FOR ARUBA AP-124		DATE 06/07/11		