

MODEL AP600 Explosion Proof Access Point Enclosure For Aruba AP92



Cover removed

The AP600 is designed to house the Aruba AP92 access point (not included). The hazardous area enclosure includes two Analynk Patented CTX UL listed Class 1, Division 1, Groups C & D, Zone 1, ATEX Zone 1 antennas (one 2.4GHz one 5.0GHz), mountings bracket with hardware and two antenna to AP92 RF cables.

Ratings:

Class 1, Div 1 Groups, C & D
-45°C to +85°C

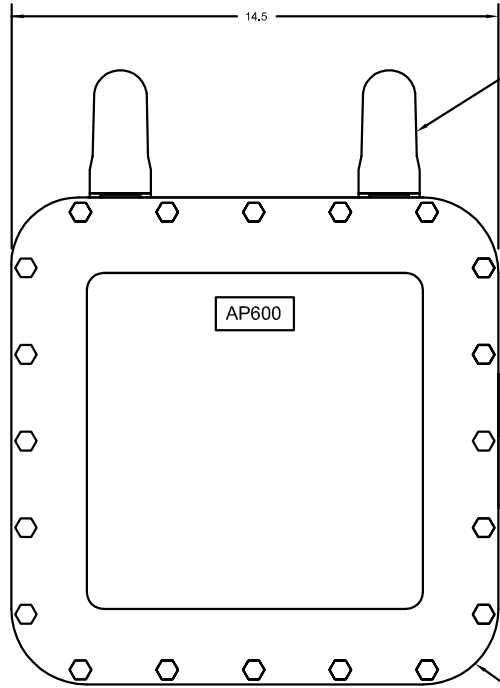
Applications:

- Pharmaceuticals
- Oil refineries
- Oil & Gas Platforms
- Chemical Plants

Ordering information:

AP600

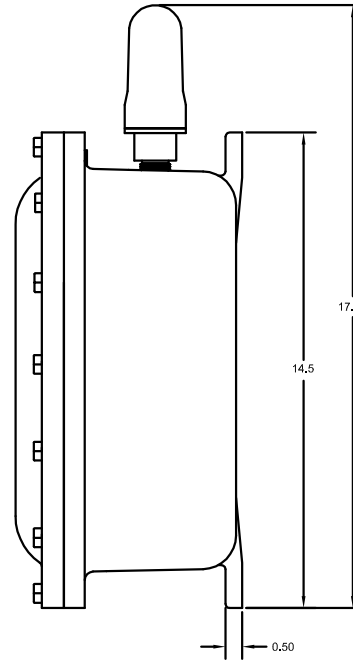
FRONT VIEW



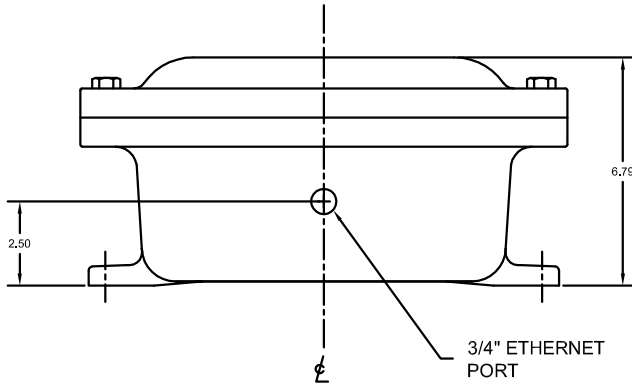
CLASS 1, DIV 1,
 GROUPS C & D
 ANTENNAS (1) 2.4GHz
 (1) 5GHz.

CAST ALUMINUM
 ENCLOSURE

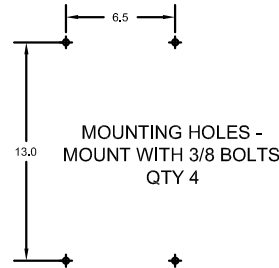
SIDE VIEW



BOTTOM VIEW



3/4" ETHERNET
 PORT



MOUNTING HOLES -
 MOUNT WITH 3/8 BOLTS
 QTY 4

NOTES:

1. ACCESS POINT ENCLOSURE FOR: ARUBA AP-92,
 RATING: CLS 1, DIV 1, GROUPS C & D.
2. ANTENNAS, EXPLOSION PROOF: CLS 1, DIV 1, GROUPS C & D
 CTX-2400-TR (2.4GHz, QTY 1), CTX-5000-TF (5GHz, QTY 1).
4. ENCLOSURE INCLUDES INTERNAL RF CABLES AND MOUNTING PLATE.
 MOUNTING PLATE REQUIRES AP-92 WALL MOUNT BRACKET (NOT INCLUDED).
3. ALL DIMENSIONS ARE IN INCHES.

QUOTE OR ORDER NUMBER			Analynk Wireless, LLC 790 CROSS POINTE ROAD COLUMBUS, OHIO 43230	
DRAWN BY			DATE	
CHECKED BY			DATE	
APPROVED BY			DATE	
DATE	BY	DATE	DATE	
06/07/11				
FILE NAME SD-D-0326A.DWG			NEXT ASSY	DWG NO. SD-D-0326A

TITLE
 AP600 ENCLOSURE
FOR
 ARUBA AP-92