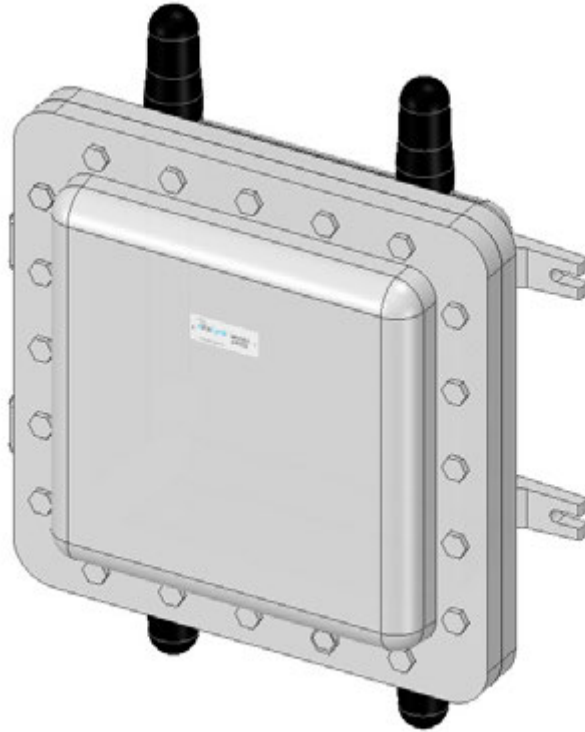


AP432 DUAL-BAND HAZARDOUS AREA ACCESS POINT ENCLOSURE FOR CISCO 9120AXE



The AP432 is designed to house the Cisco 9120AXE dual band access point for use in hazardous areas. The enclosure, all hardware, and antennas are rated for Class I, Div 1, groups C & D Hazardous Locations. All hardware, mounting plate, antennas and RF cables are provided to make installation of the access point quick and easy. The enclosure includes four of our proprietary explosion proof 2.4GHz/5Gz CTX series antennas.

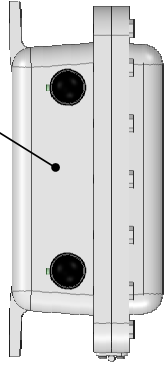
Applications:

- Pharmaceuticals
- Oil refineries
- Oil & Gas Platforms
- Chemical Plants

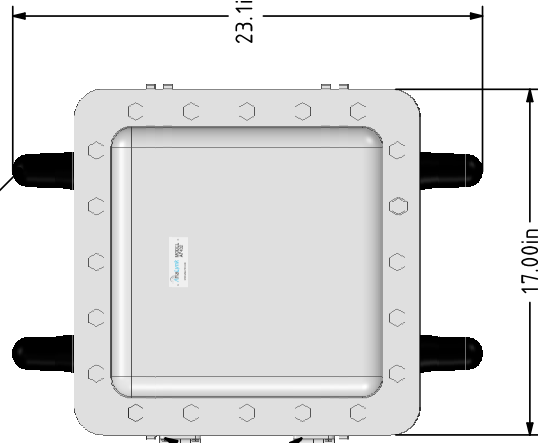
Ordering information:

AP432 Class I, Div 1 Groups, C & D
AP432-N4 (NEMA 4 option)
AP432-ATEX (ATEX Zone 1 option)

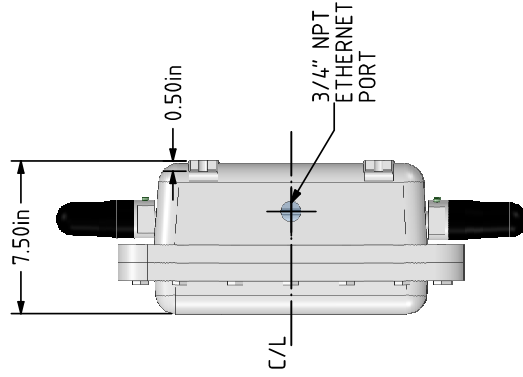
CAST ALUMINIUM ENCLOSURE



DUAL BAND 2.4GHz/5GHz ANTENNAS, QTY 4

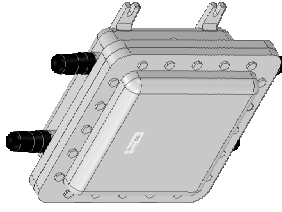
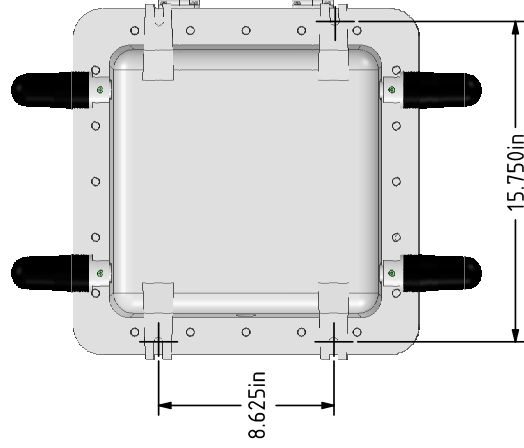


HINGED DOOR




C/L

MOUNTING DIMENSIONS



- NOTES:
1. AP432 ACCESS POINT ENCLOSURE FOR CISCO 9120AXE, RATINGS: CLS 1, DIV 1.
 2. ANTENNAS: CLS 1, DIV1 GROUPS C & D EXPLOSION PROOF 2.4GHz/5GHz; DUAL BAND QUANTITY FOUR.
 3. WEIGHT: 75 LBS. MOUNT WITH FOUR 1/2" LUG BOLTS.
 4. OPTIONS: NEMA 4 RATING P/N AP432 N4; ATEX ZONE 1 RATING: AP432ATEX.



790 CROSS POINTE ROAD, COLUMBUS, OHIO 43230, U.S.A.

DESCRIPTION
790 Cross Pointe Road, Columbus, OH 43230

SIZE	CAGE CODE	DWG NO.	REV
B		SD-C-0414	A

SCALE: N/A www.analynk.com SHEET