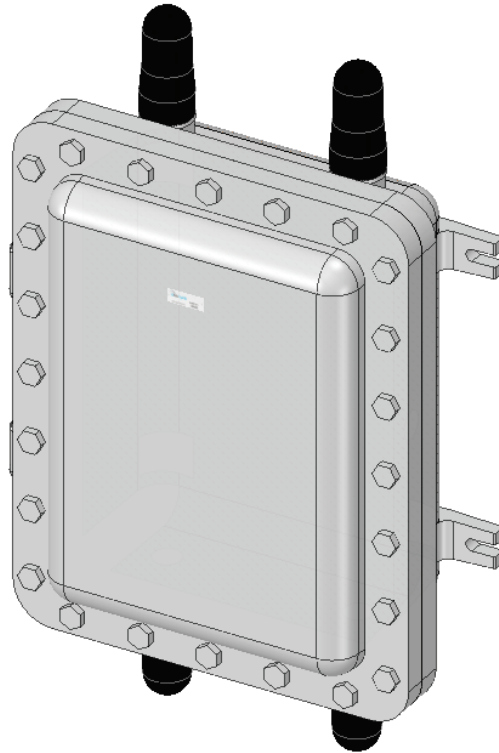


AP424 DUAL-BAND HAZARDOUS AREA ACCESS POINT ENCLOSURE FOR MERAKI MR76 / MR86



The AP424 is designed to house the Meraki AP-MR76 / AP-MR86 dual band access point for use in hazardous areas. The enclosure, all hardware and antennas are rated for Class I, Div 1, groups C & D Hazardous Locations. All hardware, mounting plate, antennas and RF cables are provided to make installation of the access point quick and easy. The enclosure utilizes four of our proprietary 2.4GHz/5GHz dual band explosion proof antennas.

Ratings:

Class I, Div 1 Groups, C & D
ATEX Zone 1 (optional)

Applications:

- Pharmaceuticals
- Oil refineries
- Oil & Gas Platforms
- Chemical Plants

Ordering information:

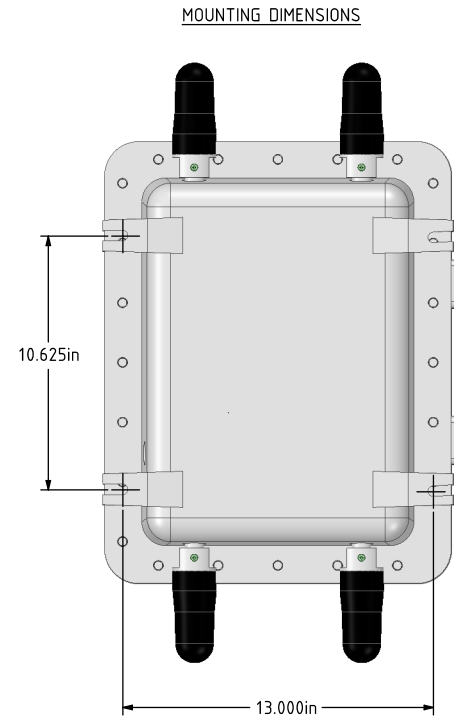
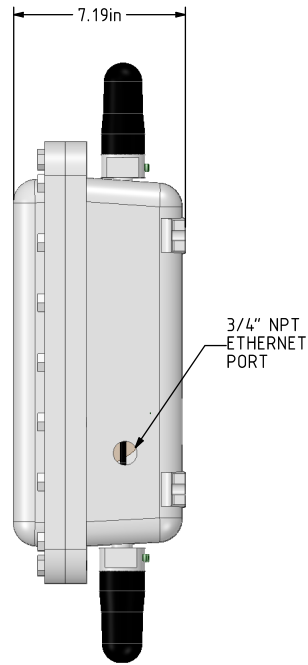
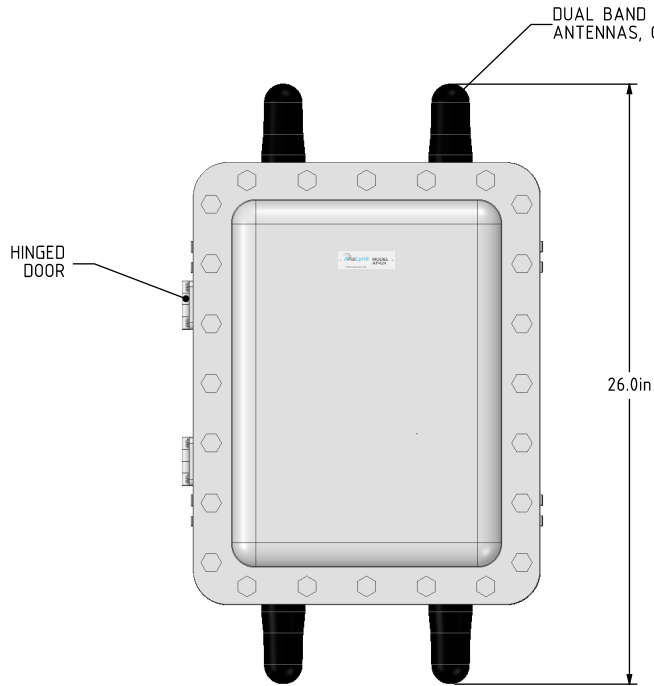
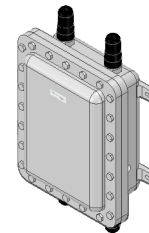
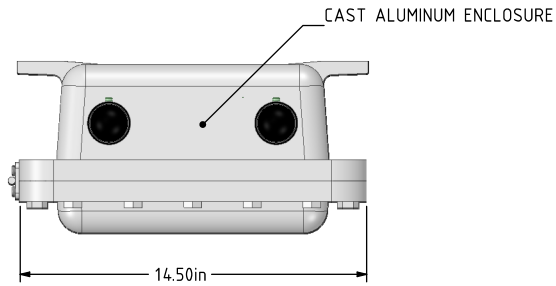
AP424
AP424-N4 (NEMA 4 option)
AP424-ATEX-AS

4

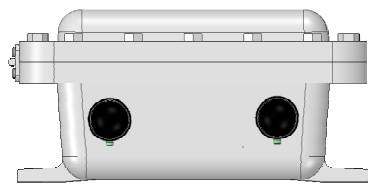
3

2

1



MOUNT WITH 3/8" LUG BOLTS



- NOTES:
1. AP424 ACCESS POINT ENCLOSURE FOR MERAKI MR76/MR86, RATINGS: CLS 1, DIV 1.
 2. ANTENNAS: CLS 1, DIV1 GROUPS C & D EXPLOSION PROOF 2.4GHz/5GHz, DUAL BAND QUANTITY FOUR.
 3. WEIGHT: 66 LBS., MOUNT WITH FOUR 3/8" LUG BOLTS.
 4. OPTIONS: NEMA 4 RATING P/N AP-424 N4; ATEX ZONE 1, IIB, RATING: AP424-ATEX-AS.
 5. DIMENSIONS IN INCHES.

<p>790 CROSS POINTE ROAD, COLUMBUS, OHIO 43230, U.S.A.</p>			
DESCRIPTION			
AP424 MERAKI MR76/MR86			
SIZE	CAGE CODE	DWG NO.	REV
C		SD-C-0398	C
SCALE	1:4	www.analynk.com	SHEET

4

3

4

2

1

D

C

A

B

A

D

C

A

B

A