

## **AP422 DUAL-BAND HAZARDOUS AREA ACCESS POINT ENCLOSURE FOR CISCO 1852E**



---

The AP422 is designed to house the Cisco 1852E dual band access point for use in hazardous areas. The enclosure, all hardware, and antennas are rated for Class I, Div 1, groups C & D Hazardous Locations. All hardware, mounting plate, antennas and RF cables are provided to make installation of the access point quick and easy. The enclosure utilizes our proprietary explosion proof CTX series of antennas, four dual band 2.4GHz/5GHz are included.

**Ratings:**

Class I, Div 1 Groups, C & D

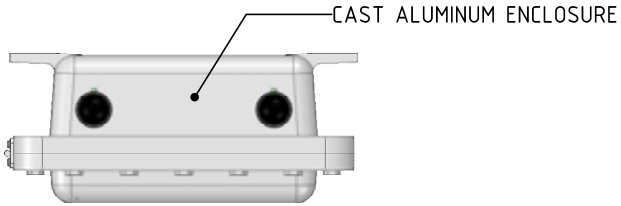
**Applications:**

- Pharmaceuticals
- Oil refineries
- Oil & Gas Platforms
- Chemical Plants

**Ordering information:**

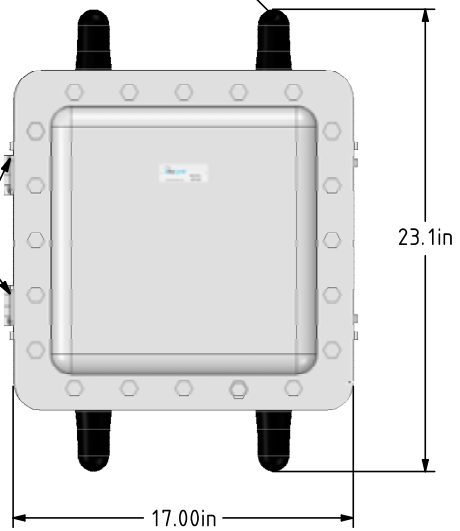
AP422  
AP422-N4 (NEMA 4 option)  
AP422-ATEX (ATEX Zone 1 option)

A: RELEASED 2/15/2017  
 B: UPDATED 07/20/2020

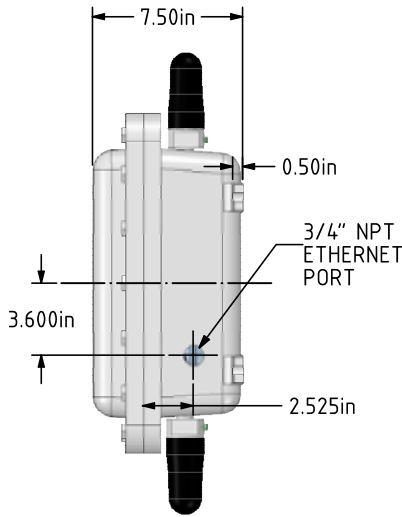


CAST ALUMINUM ENCLOSURE

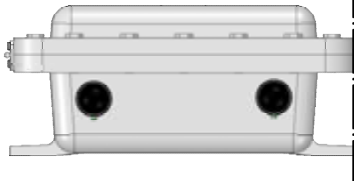
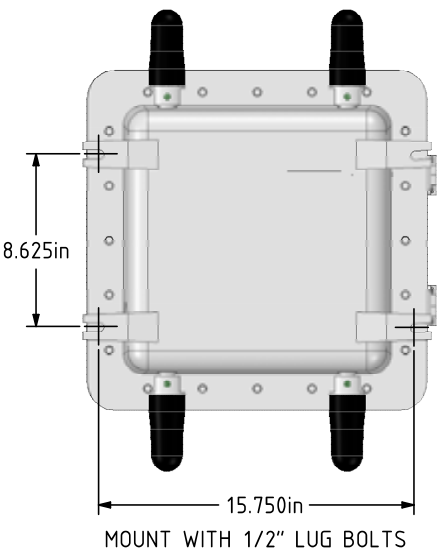
DUAL BAND 2.4GHz/5GHz  
 ANTENNAS, QTY 4



HINGED DOOR



MOUNTING DIMENSIONS



- NOTES:
1. AP422 ACCESS POINT ENCLOSURE FOR CISCO 1852E, RATINGS: CLS 1, DIV 1.
  2. ANTENNAS: CLS 1, DIV1 GROUPS C & D EXPLOSION PROOF 2.4GHz/5GHz, DUAL BAND QUANTITY FOUR.
  3. WEIGHT: 75 LBS, MOUNT WITH FOUR 3/8" LUG BOLTS.
  4. OPTIONS: NEMA 4 RATING P/N AP422 N4; ATEX ZONE 1 RATING: AP422ATEX.

790 CROSS POINTE ROAD, COLUMBUS, OHIO 43230, U.S.A.			
DESCRIPTION 790 Cross Pointe Road, Columbus, OH 43230			
SIZE B	CAGE CODE	DWG NO. SD-B-0397B	REV B
SCALE N/A	www.analynk.com	SHEET	