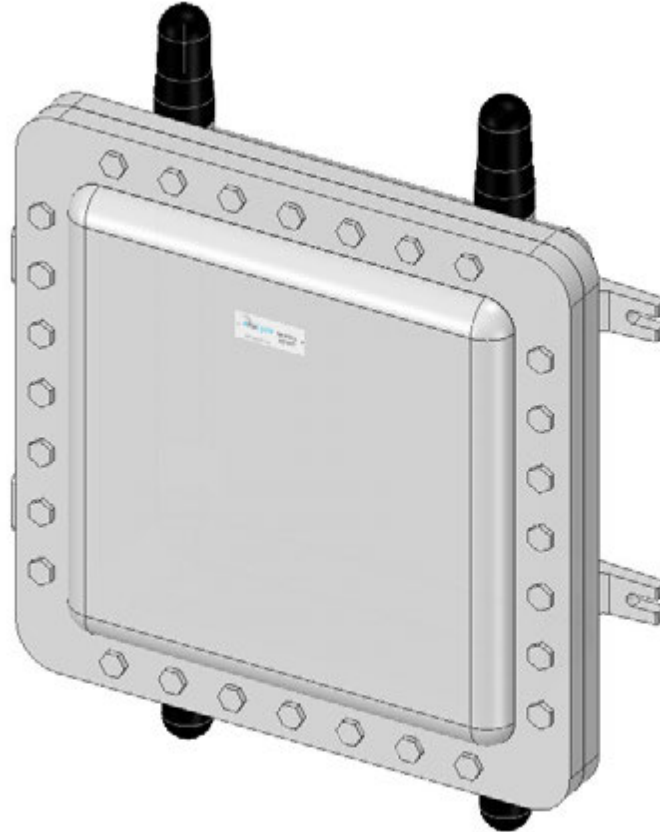


AP417 DUAL-BAND HAZARDOUS AREA ACCESS POINT ENCLOSURE



The AP417 hazardous area enclosure houses the Cisco AIR-AP1562E dual band access point for use in the hazardous areas. The enclosure and antennas are designed for use in Class I, Division 1 group C & D areas. All hardware, mounting plate, antennas and RF cables are provided to make installation quick and easy. The enclosure utilizes our proprietary explosion proof CTX series of antennas and includes four 2.4GHz/5GHz dual band antennas. The access point is not included with the enclosure.

Ratings:

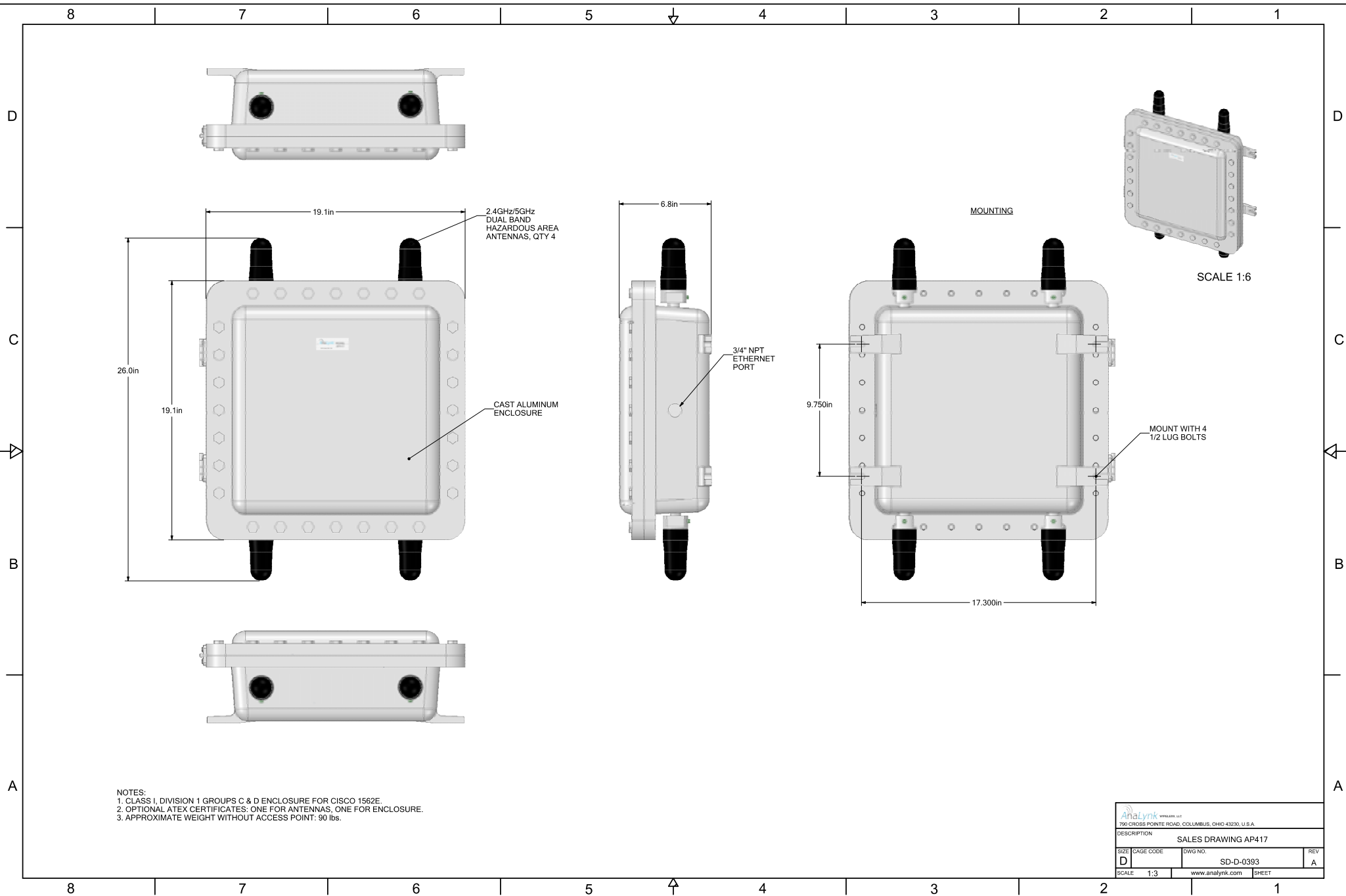
Class I, Div 1 Groups, C & D

Applications:

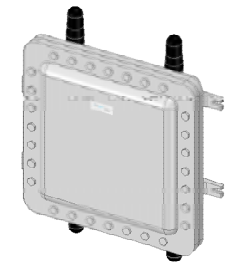
- Pharmaceuticals
- Oil refineries
- Oil & Gas Platforms
- Chemical Plants

Ordering information:

AP417
AP417-N4 (NEMA 4X rating)



NOTES:
 1. CLASS I, DIVISION 1 GROUPS C & D ENCLOSURE FOR CISCO 1562E.
 2. OPTIONAL ATEX CERTIFICATES: ONE FOR ANTENNAS, ONE FOR ENCLOSURE.
 3. APPROXIMATE WEIGHT WITHOUT ACCESS POINT: 90 lbs.



| | | | |
|--|-----------|---------------------|-------|
| | | | |
| <small>790 CROSS POINTE ROAD, COLUMBUS, OHIO 43230, U.S.A.</small> | | | |
| DESCRIPTION | | SALES DRAWING AP417 | |
| SIZE | CAGE CODE | DWG. NO. | REV |
| D | | SD-D-0393 | A |
| SCALE | 1:3 | www.analynk.com | SHEET |