

AP412 DUAL-BAND HAZARDOUS AREA ACCESS POINT ENCLOSURE FOR CISCO 2802E



The AP412 hazardous area enclosure houses the Cisco AIR-AP2802E dual band access point for use in the hazardous areas. The enclosure and antennas are designed for use in Class I, Division 1 group C & D areas. All hardware, mounting plate, antennas and RF cables are provided to make installation quick and easy. The enclosure utilizes our proprietary explosion proof CTX series of antennas and includes four 2.4GHz/5GHz dual band antennas. The access point is not included with the enclosure.

Ratings:

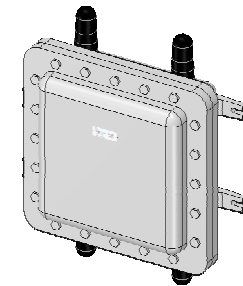
Class I, Div 1 Groups, C & D

Applications:

- Pharmaceuticals
- Oil refineries
- Oil & Gas Platforms
- Chemical Plants

Ordering information:

AP412
AP412-N4 (NEMA 4X rating)



SCALE 1:10

REVISION A
01/19/2016
RML

06/01/2016
ADDED STD
CONSTRUCTION
NOTE. RML

06/12/2016
ADDED ETHERNET
HOLE LOCATION.
RML

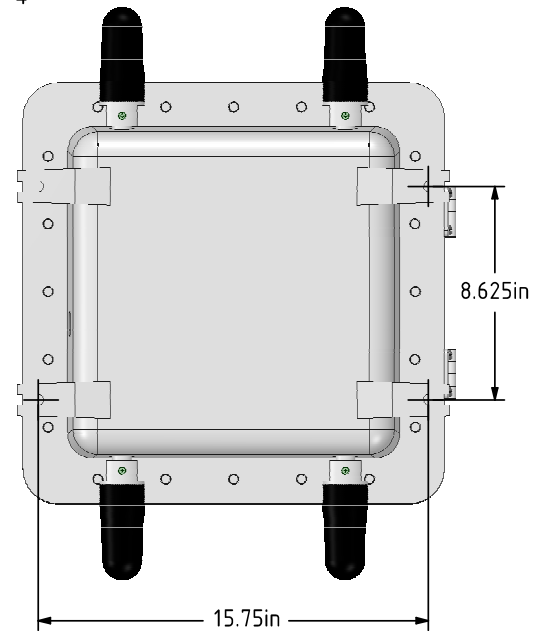
2.4GHz/5GHz
DUAL BAND
ANTENNAS, QTY 4

ETHERNET
PORT, 3/4"
NPT

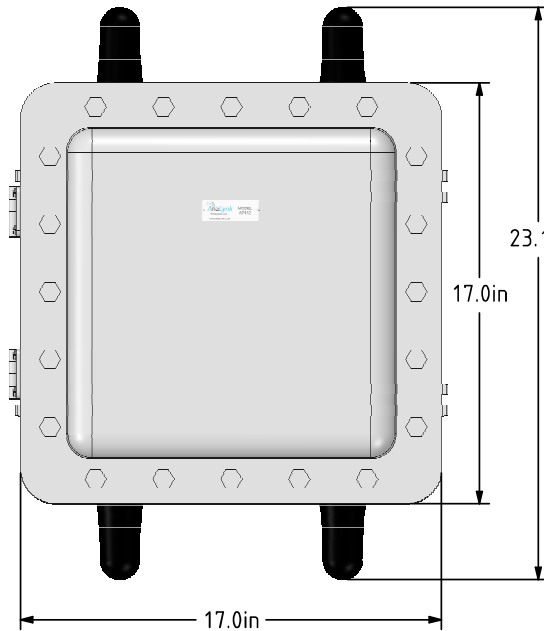
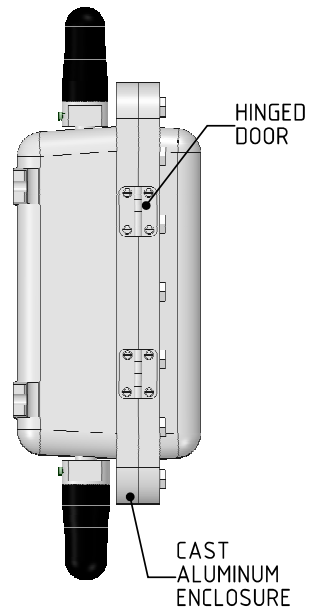
C.L.

2.85in

8.625in



MOUNTING: MOUNT WITH
1/2" BOLTS



NOTES:

1. AP412 STANDARD CONSTRUCTION.
2. ACCESS POINT ENCLOSURE FOR CISCO 2802E, RATINGS: CLS1, DIV1 GROUPS C & D.
3. ANTENNAS: CLS1, DIV1 GROUPS C & D EXPLOSION PROOF 2.4GHz/5GHz DUAL BAND
4. WEIGHT: 76LBS WITHOUT ACCESS POINT.

790 Cross Pointe Road, Columbus, OH 43230			
SIZE B	CAGE CODE	DWG NO. SD-B-0371	REV A
SCALE .2X			SHEET 1 of 1