

## **AP411 Explosion Proof Access Point Enclosure For Meraki MR72/MR74**



The AP411 is a hazardous area enclosure designed to house the Meraki MR72 or MR74 access point. The enclosure and antennas are rated for Class 1, Div 1, groups C & D Hazardous Locations. All hardware, mounting plate, and RF cables are provided to make installation of the access point quick and easy. The enclosure includes four patented hazardous area CTX series 2.4GHz/5GHz dual band antennas, the MR72 is not included.

### **Ratings:**

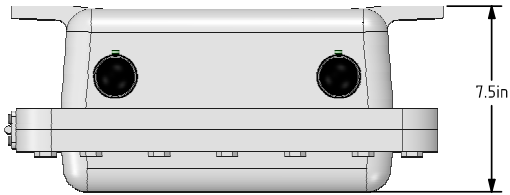
Class 1, Div 1 Groups, C & D  
ATEX Zone 1 and NEMA 4 rating optional

### **Applications:**

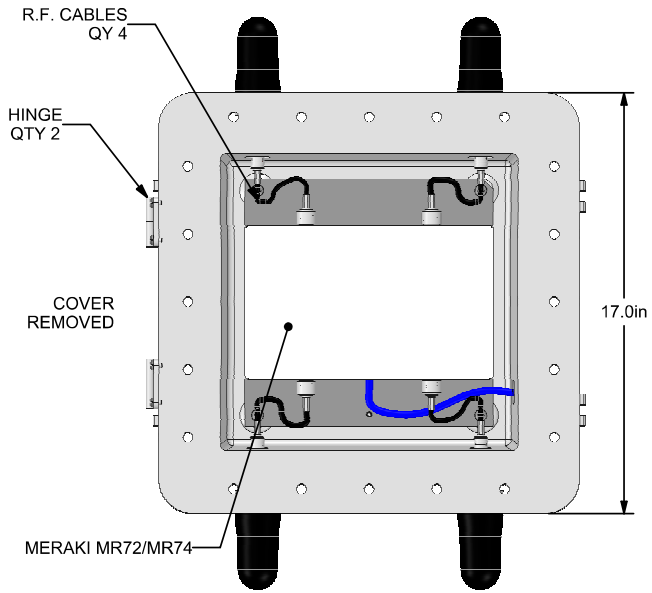
- Pharmaceuticals
- Oil refineries
- Oil & Gas Platforms
- Chemical Plants

### **Ordering information:**

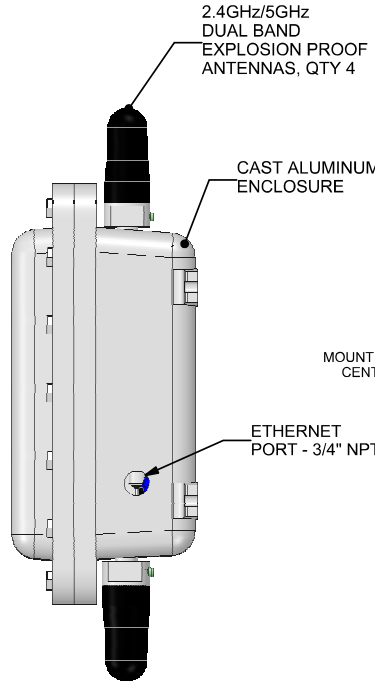
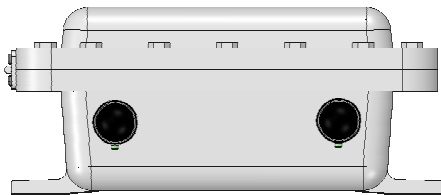
AP411  
AP411-ATEX  
AP411-NEMA4  
AP411-ATEX-NEMA4



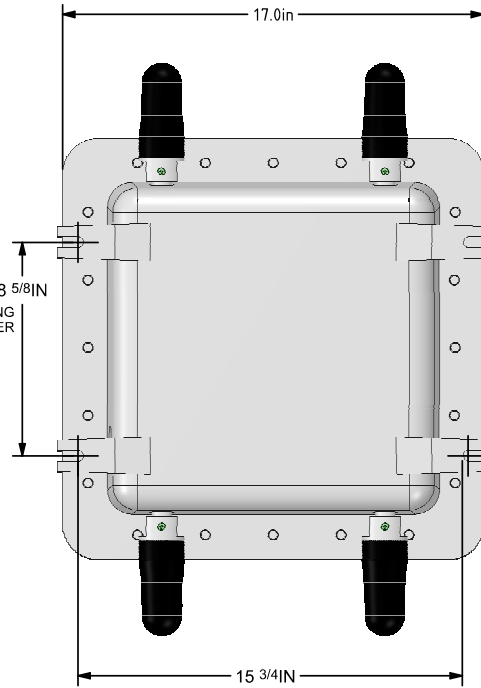
7.5in



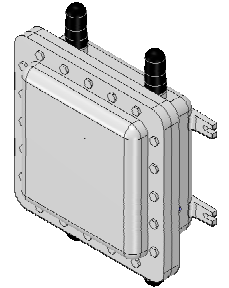
17.0in



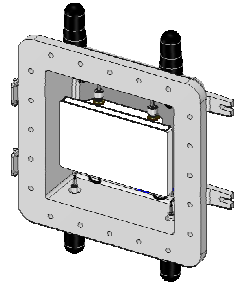
8 5/8IN  
MOUNTING CENTER



15 3/4IN  
MOUNTING CENTER  
MOUNT WITH  
1/2IN BOLTS



SCALE 1:10



COVER REMOVED  
SCALE 1:10

- NOTES:
1. ENCLOSURE FOR MERAKI MR72 OR MR74.
  2. EXPLOSION PROOF ENCLOSURE AND ANTENNAS RATED FOR CLASS 1 DIVISION 1, GROUPS C & D.
  3. NEMA 4X RATING OPTIONAL.
  4. WEIGHT: 76 LBS.

AnaLynk Wireless, LLC 790 CROSS POINTE ROAD, COLUMBUS, OH 43230			
<b>AP411 FOR MERAKI MR72/MR74</b>			
SIZE <b>B</b>	CAGE CODE	DWG NO. <b>SD-B-0369</b>	REV <b>B</b>
SCALE 0.2X	SHEET		