

AP410 Explosion Proof Access Point Enclosure For Cisco 3702E



The AP410 is a hazardous area enclosure designed to house the Cisco 3702E access point. The enclosure and antennas are rated for Class 1, Div 1, groups C & D Hazardous Locations. All hardware, mounting plate, and RF cables are provided to make installation of the access point quick and easy. The enclosure includes four patented hazardous area CTX series 2.4GHz/5GHz dual band antennas, the 3702E is not included.

Ratings:

Class 1, Div 1 Groups, C & D
ATEX Zone 1 and NEMA 4 rating optional

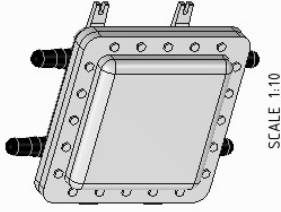
Applications:

- Pharmaceuticals
- Oil refineries
- Oil & Gas Platforms
- Chemical Plants

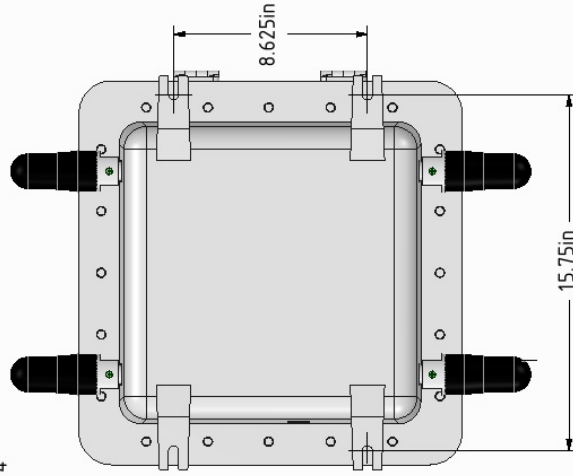
Ordering information:

AP410
AP410-ATEX
AP410-NEMA4
AP410-ATEX-NEMA4

REVISION A
01/19/2016
RML



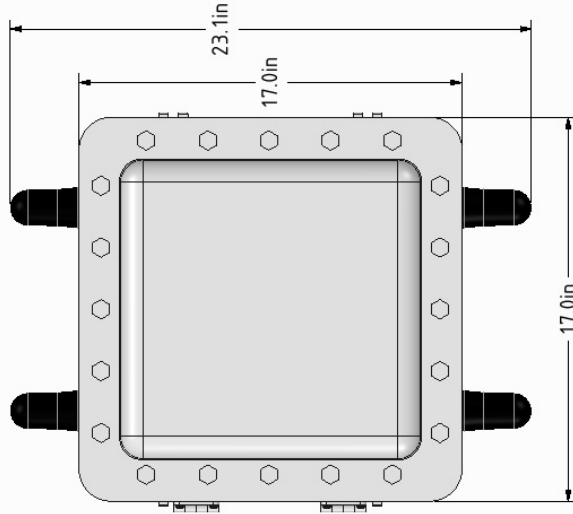
SCALE 1:10



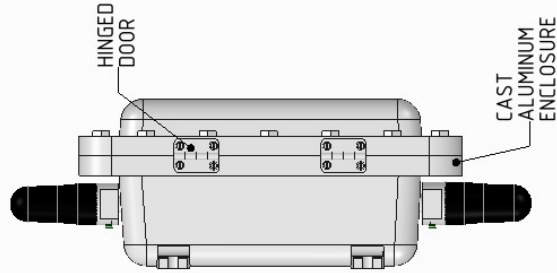
MOUNTING: MOUNT WITH
1/2" BOLTS



2.4GHz/5GHz
DUAL BAND
ANTENNAS, QTY 4



ETHERNET
PORT, 3/4"
NPT



790 Cross Pointe Road, Columbus, OH 43230

SIZE CAGE CODE DWG NO.

B SD-B-0368

SCALE .2X SHEET 1 of 1

- NOTES:
1. ACCESS POINT ENCLOSURE FOR CISCO 3702E, RATINGS: CLS 1, DIV 1 GROUPS C & D.
 2. ANTENNAS: CLS 1, DIV 1 GROUPS C & D EXPLOSION PROOF 2.4GHz/5GHz DUAL BAND.