

AP409 Explosion Proof Access Point Enclosure For Cisco 2702E



The AP409 is a hazardous area enclosure designed to house the Cisco 2702E access point. The enclosure and antennas are rated for Class 1, Div 1, groups C & D Hazardous Locations. All hardware, mounting plate, and RF cables are provided to make installation of the access point quick and easy. The enclosure includes four of our patented hazardous area CTX series 2.4GHz/5GHz dual band antennas, the 2702E is not included.

Ratings:

Class 1, Div 1 Groups, C & D
ATEX Zone 1 optional

Applications:

- Pharmaceuticals
- Oil refineries
- Oil & Gas Platforms
- Chemical Plants

Ordering information:

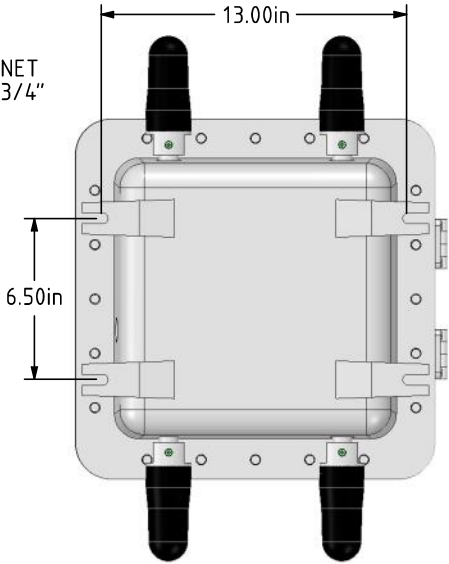
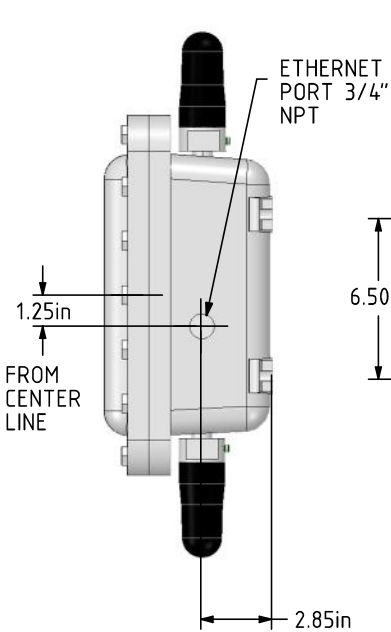
AP409
AP409-ATEX
AP409-NEMA4
AP409-ATEX-NEMA4

REVISION HISTORY

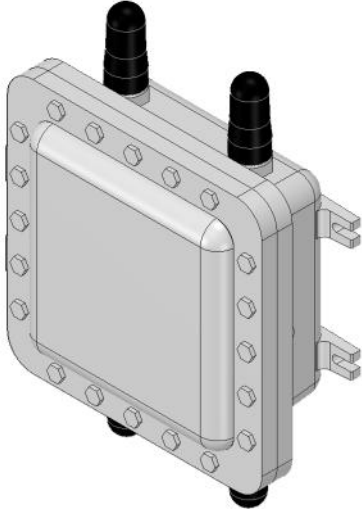
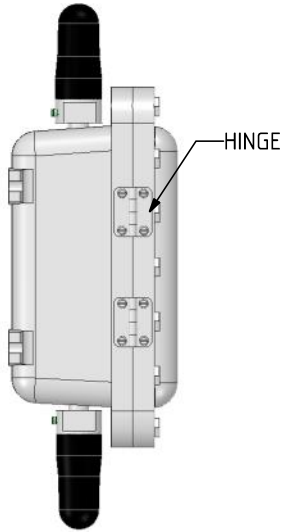
REV	DESCRIPTION	INCORP BY	DATE	CHECKED
-----	-------------	-----------	------	---------

NOTES:

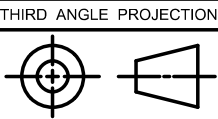
- 1. WEIGHT: 45LBS WITHOUT ACCESS POINT.
- 2. RECOMMENDED MOUNTING BOLTS 3/8" QTY 4



SCALE 1:5



-2		-1		ITEM	PART OR IDENTIFYING NO.			NOMENCLATURE OR DESCRIPTION			
QTY	RECD	NO.	NO.	NO.							
PARTS LIST											
INIT	APPROVALS	DATE	INIT	APPROVALS	DATE	 790 Cross Pointe Road, Columbus, OH 43230					
RL		12/06/13									
						TITLE					
						MOUNTING DIMENSIONS FOR AP409					
NEXT ASSY		USED ON		SIMILAR TO		SIZE	CAGE CODE	DWG NO.		REV	
						B		A-10906		A	
APPLICATION						SCALE		SHEET			



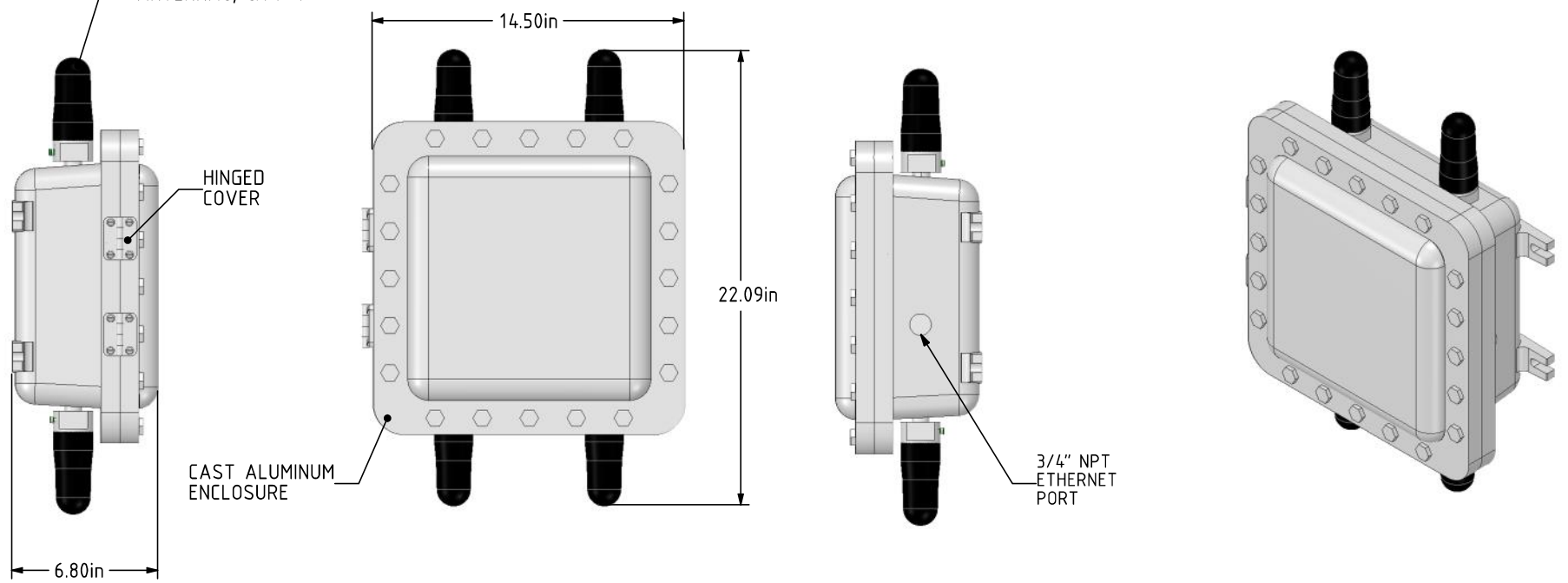
REVISIONS
 B - CONVERTED TO
 3D DRAWING
 11/17/2015 RML

CLASS 1, DIV 1
 GROUPS C & D,
 2.4GHz/5GHz
 DUAL BAND
 ANTENNAS, QTY 4

HINGED
 COVER

CAST ALUMINUM
 ENCLOSURE

3/4" NPT
 ETHERNET
 PORT



- NOTES:
 1. ACCESS POINT ENCLOSURE FOR CISCO 2702E, RATINGS: CLS 1, DIV 1.
 2. ANTENNAS: CLS 1, DIV1 GROUPS C & D EXPLOSION PROOF 2.4GHz, DUAL BAND QUANTITY FOUR.
 3. SEE DRAWING A-10906A FOR MOUNTING DIMENSIONS.

790 Cross Pointe Road, Columbus, OH 43230			
SIZE B	CAGE CODE	DWG NO. SD-B-0358	REV B
SCALE .2x			SHEET