

AP407 Explosion Proof Access Point Enclosure For Cisco 2602E



The AP407 is a hazardous area enclosure designed to house the Cisco 2602E access point. The enclosure and antennas are rated for Class 1, Div 1, groups C & D Hazardous Locations. All hardware, mounting plate, and RF cables are provided to make installation of the access point quick and easy. The enclosure includes four of our patented hazardous area CTX series 2.4GHz/5GHz dual band antennas, the 2602E is not included.

Ratings:

Class 1, Div 1 Groups, C & D
ATEX Zone 1 optional

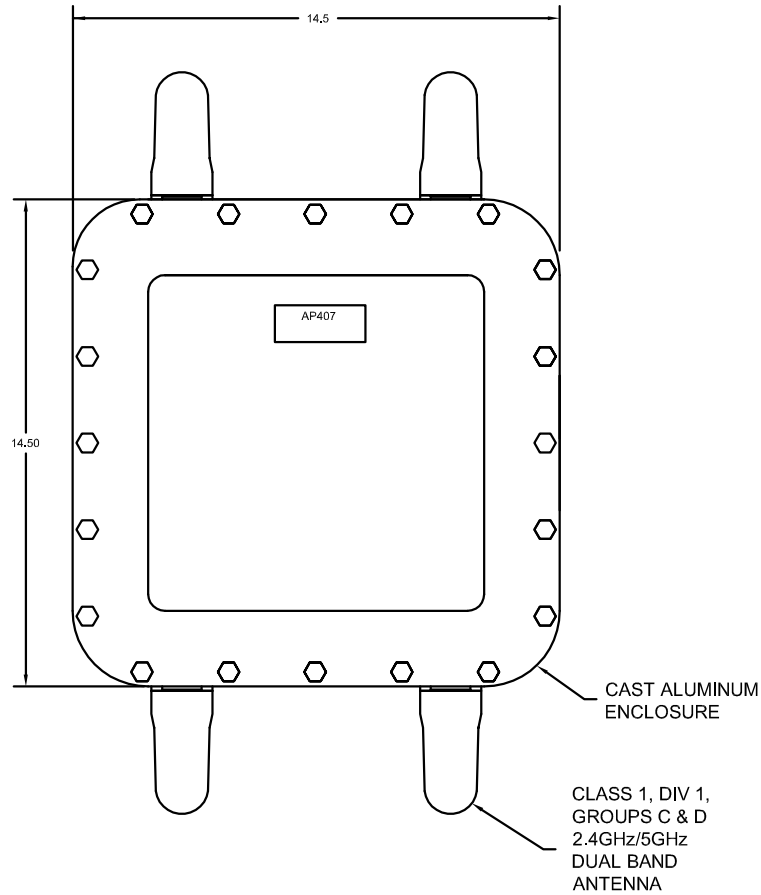
Applications:

- Pharmaceuticals
- Oil refineries
- Oil & Gas Platforms
- Chemical Plants

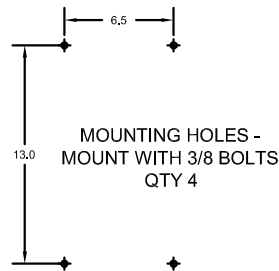
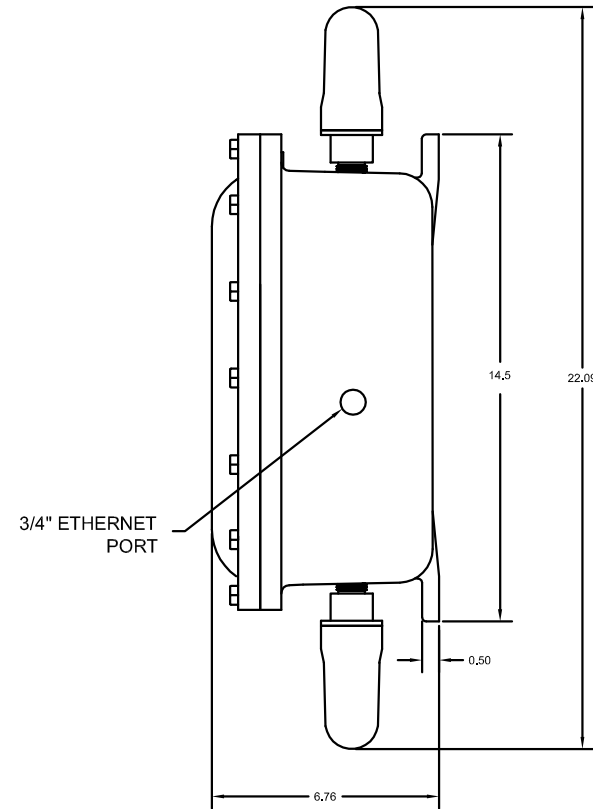
Ordering information:

AP407
AP407-ATEX
AP407-NEMA4
AP407-ATEX-NEMA4

FRONT VIEW



SIDE VIEW



NOTES:

1. ACCESS POINT ENCLOSURE FOR: CISCO 2602E RATING: CLS 1, DIV 1.
2. ANTENNAS: CLS 1, DIV 1 GROUPS C & D EXPLOSION PROOF 2.4GHZ/5GHZ, DUAL BAND, QUANTITY FOUR.
3. MOUNTING: 6.5 X 13, 3/8" BOLTS.
4. ALL DIMENSIONS ARE IN INCHES

QUOTE OR ORDER NUMBER			Analylnk Wireless, LLC 790 CROSS POINTE ROAD COLUMBUS, OHIO 43230		
DRAWN BY			TITLE		
CHECKED BY			FOR		
DATE			AP407 ENCLOSURE		
SCALE			CISCO 2602E		
DRAWN			DWG NO.		
DATE			SD-D-0350A		
CHECKED			NEXT ASSY		
DATE			DATE		

FILE NAME
SD-D-0350A.DWG