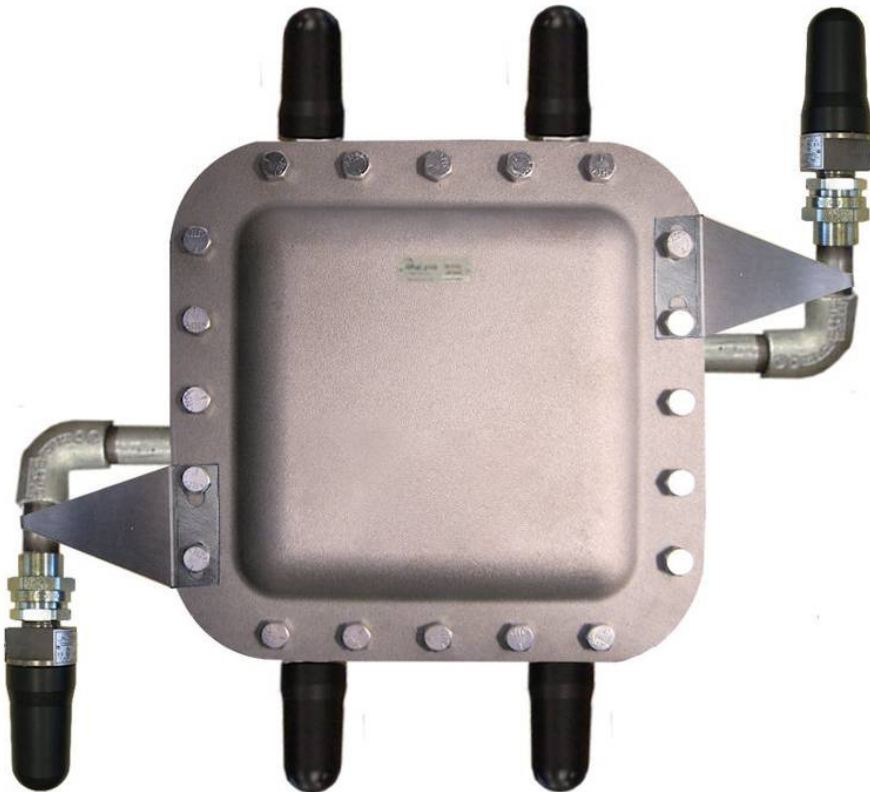


**AP400 DUAL-BAND
HAZARDOUS AREA ACCESS POINT ENCLOSURE
FOR CISCO AP1262N & AP3502E**



The AP400 is designed to house the Cisco AIR-LAP1262N or AIR-CAP3502E dual band access point for use in hazardous areas. The enclosure, all hardware, and antennas are rated for Class 1, Div 1, groups C & D Hazardous Locations. All hardware, mounting plate, antennas and RF cables are provided to make installation of the access point quick and easy. The enclosure utilizes our proprietary explosion proof CTX series of antennas and includes three 2.4GHz and three 5GHz antennas.

Ratings:

Class 1, Div 1 Groups, C & D

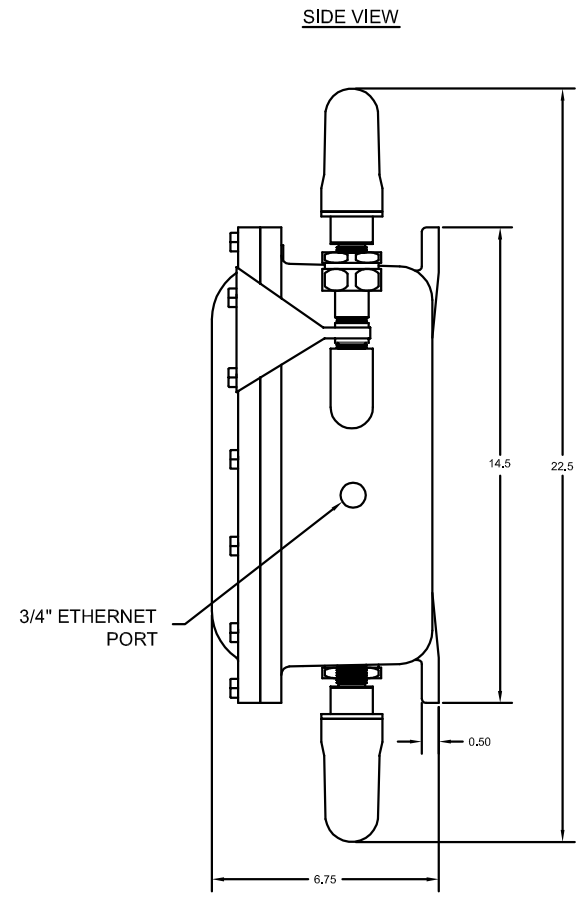
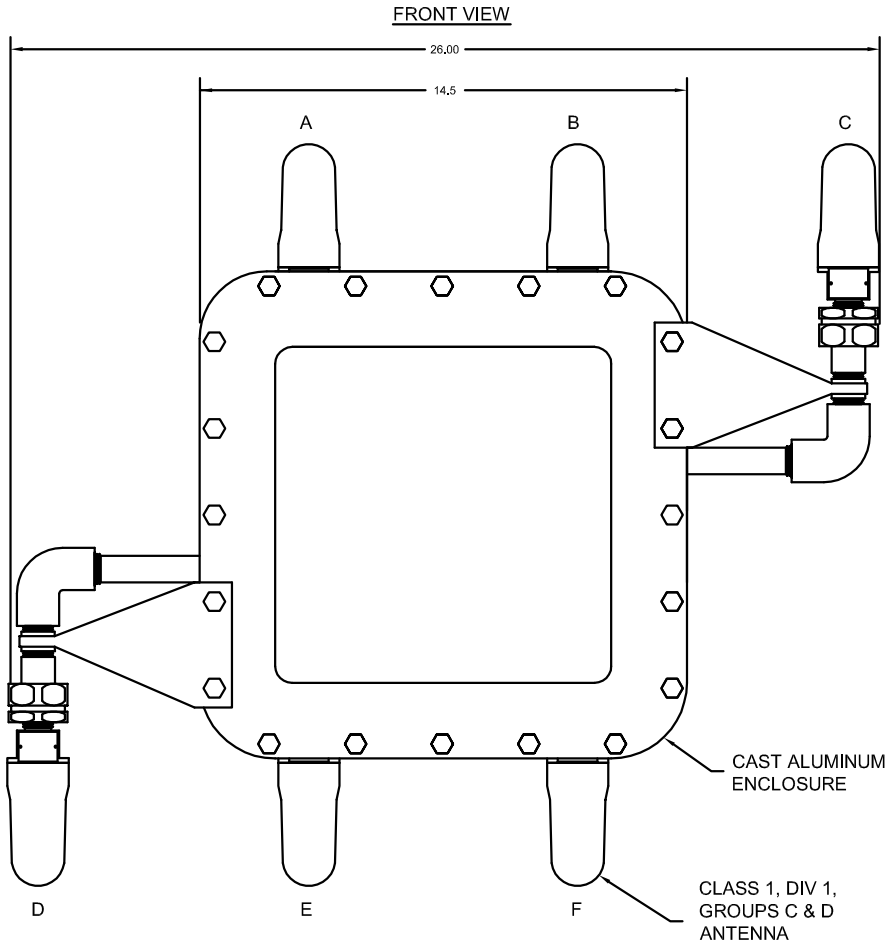
Applications:

- Pharmaceuticals
- Oil refineries
- Oil & Gas Platforms
- Chemical Plants

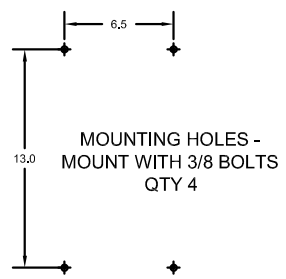
Ordering information:

AP400

*Single band also available,
contact factory*



- NOTES:
1. ACCESS POINT ENCLOSURE FOR: CISCO 1262 & 3502 RATING: CLS 1, DIV 1.
 2. ANTENNAS: CLS 1, DIV 1 EXPLOSION PROOF CTX-2400-TR (2.4GHz), CTX-5000-TF (5GHz), SPECIFY LOCATION AND FREQUENCY OF EACH ANTENNA WHEN ORDERING. EXAMPLE: LOCATIONS A,B,C, 2.4GHz, LOCATIONS D,E,F 5GHz.
 3. MOUNTING: 6.5 X 13, 3/8" BOLTS.
 4. ALL DIMENSIONS ARE IN INCHES



QUOTE OR ORDER NUMBER			Analylnk Wireless, LLC 790 CROSS POINTE ROAD COLUMBUS, OHIO 43230																
<table border="1"> <tr> <td colspan="5">REVISIONS</td> </tr> <tr> <td>DATE</td> <td>BY</td> <td>DESCRIPTION</td> <td>APPROVED</td> <td>DATE</td> </tr> <tr> <td> </td> <td> </td> <td> </td> <td> </td> <td> </td> </tr> </table>					REVISIONS					DATE	BY	DESCRIPTION	APPROVED	DATE					
REVISIONS																			
DATE	BY	DESCRIPTION	APPROVED	DATE															
<table border="1"> <tr> <td>SCALE</td> <td>FRACTIONAL</td> <td>DECIMAL</td> </tr> <tr> <td>AS SHOWN</td> <td>1" = 1"</td> <td>1" = 1"</td> </tr> <tr> <td>AS SHOWN</td> <td>1/4" = 1"</td> <td>1/4" = 1"</td> </tr> <tr> <td>AS SHOWN</td> <td>1/8" = 1"</td> <td>1/8" = 1"</td> </tr> </table>			SCALE	FRACTIONAL	DECIMAL	AS SHOWN	1" = 1"	1" = 1"	AS SHOWN	1/4" = 1"	1/4" = 1"	AS SHOWN	1/8" = 1"	1/8" = 1"	TITLE FOR AP400 ENCLOSURE CISCO 3502				
SCALE	FRACTIONAL	DECIMAL																	
AS SHOWN	1" = 1"	1" = 1"																	
AS SHOWN	1/4" = 1"	1/4" = 1"																	
AS SHOWN	1/8" = 1"	1/8" = 1"																	
<table border="1"> <tr> <td>CHECKED</td> <td>DATE</td> <td>06/19/11</td> </tr> <tr> <td>APPROVED</td> <td>DATE</td> <td> </td> </tr> </table>			CHECKED	DATE	06/19/11	APPROVED	DATE		NEXT ASSY	DWG NO. SD-D-0325A									
CHECKED	DATE	06/19/11																	
APPROVED	DATE																		