

# MODEL AP201 HAZARDOUS AREA ENCLOSURE FOR MERU AP200 SERIES ACCESS POINTS

**HAZARDOUS AREA  
ANTENNA 2.4 GHz OR  
5GHz**

**HAZARDOUS AREA  
ANTENNA 2.4 GHz OR 5GHz**



**Enclosure:**  
Copper-free aluminum  
with slotted cast on  
mounting lugs for easy  
installation.

**Ratings:**  
Class 1, Div 1 Groups, C & D  
-45°C to +85°C

The AP201 is designed to house the Meru AP200 series of access points. The hazardous area enclosure includes two CTX 2.0dBi UL listed Class 1, Division 1, Groups C & D, Zone 1, ATEX Zone 1 antennas. The enclosure is complete with an internal Meru mounting bracket and two antenna to access point RF cables.

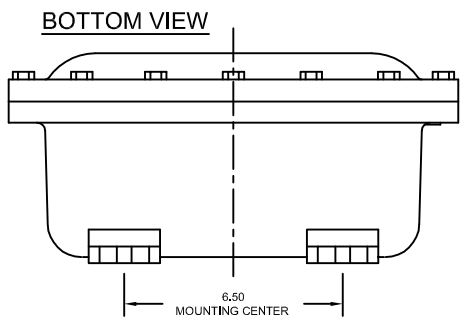
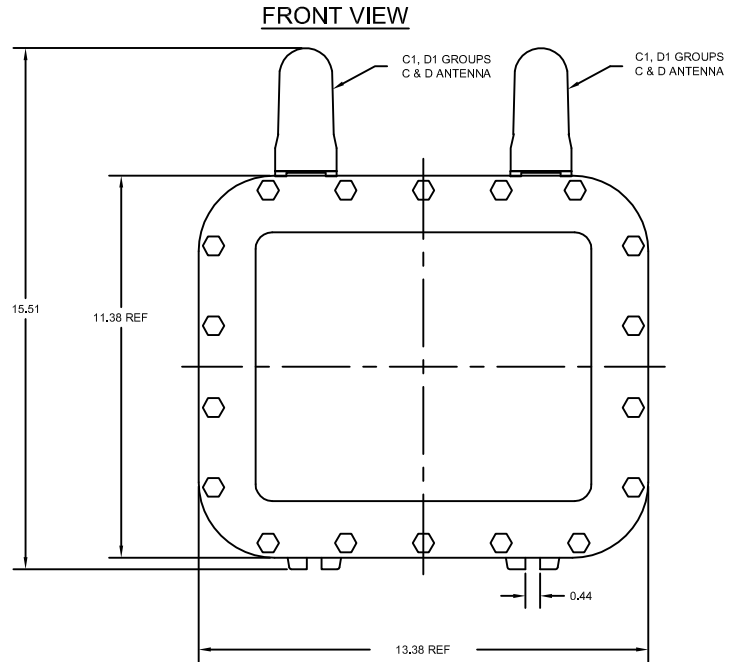
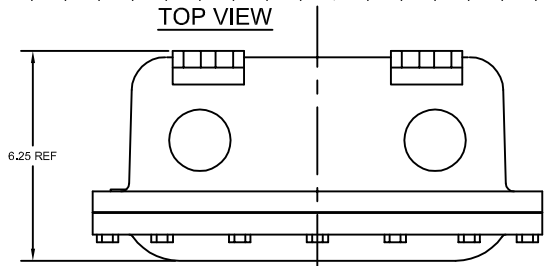
The Meru AP200 access points can be configure in several ways. To ensure the enclosure you require has the appropriate antenna frequencies, refer to the table below when ordering:

### Applications:

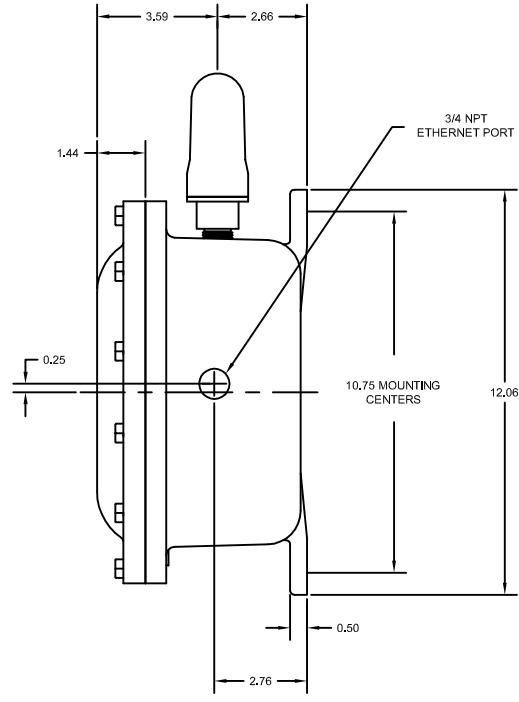
- Pharmaceutical processing
- Oil refineries
- Oil & Gas Platforms
- Chemical Plants

ANALYNK MODEL NUMBER	ANTENNA FREQUENCY & QTY	MERU MODEL NUMBER
AP201	2.4GHz, QTY 2	AP201
AP201-1	2.4GHz, 5GHz, QTY 1 EACH	AP208
AP201-2	5GHz, QTY 2	AP201
AP201-3	2.4GHz/5GHz (DUAL BAND), QTY 2	AP201 OR AP208

DWG. NO.	SD-D-0284B
REVISIONS	
A	INITIAL RELEASE
B	ADDED MODEL OPTIONS FOR 2.4GHz & 5GHz ANTENNAS RML 02/08/2010



RIGHT SIDE VIEW



MODEL NUMBER	ANTENNA FREQUENCY & QUANTITY	MERU MODEL NUMBER
AP201	2.4GHZ QTY 2	AP201
AP201-1	2.4GHZ, 5GHZ QTY 1 EACH	AP208
AP201-2	5GHZ QTY 2	AP201
AP201-3	2.4GHZ/5GHZ (DUAL BAND) QTY 2	AP201 OR AP208

- NOTES:
- ENCLOSURE: CLS 1, DIV 1 EXPLOSION PROOF.
  - ACCESS POINT: MERU AP200
  - ANTENNAS: CLS 1, DIV 1, GROUPS C & D EXPLOSION PROOF CTX-2400-TR, CTX-5000-TF.
  - ALL DIMENSIONS ARE IN INCHES.

DWG. SD-D-0284B

QUOTE OR ORDER NUMBER		Anlynk Wireless, LLC 790 CROSS POINTE ROAD COLUMBUS, OHIO 43230	
DRAWN BY		TITLE	
CHECKED BY		FOR	
DATE		ACCESS POINT	
SCALE		AP201 MERU	
APPROVED BY		NEXT ASSY	
DATE		DWG NO.	
FILE NAME		SD-D-0284B.DWG	
APPROVED DATE		SD-D-0284B	