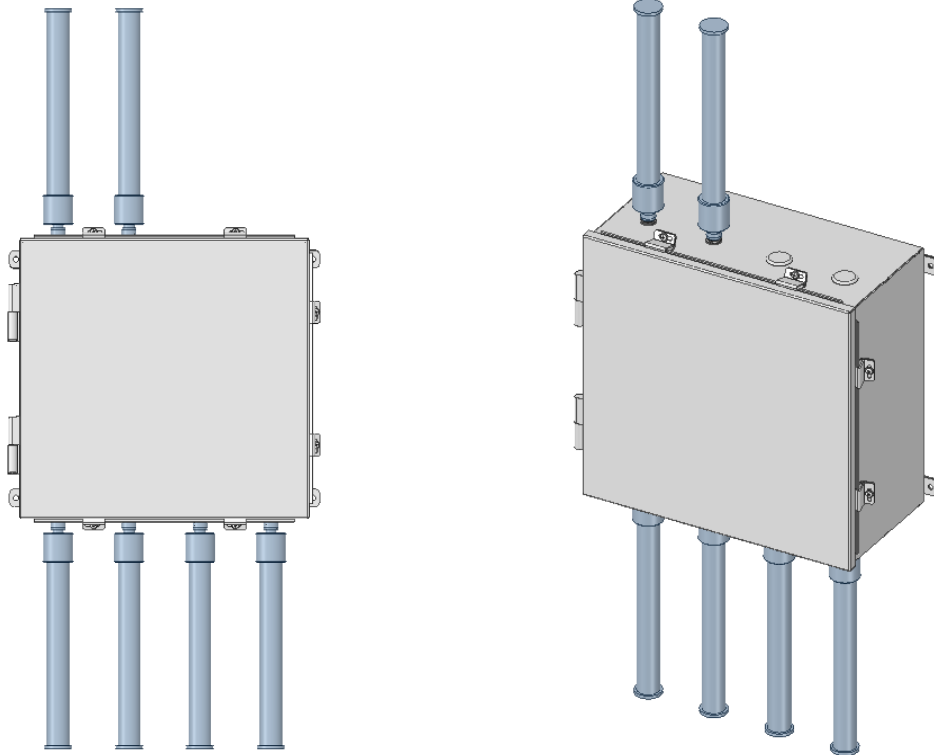

AE902-1
HAZARDOUS AREA CLASS I, DIVISION 2, ACCESS
POINT ENCLOSURE FOR ARUBA AP-318



The AE902-1 is designed to house the Aruba AP-318 dual band access point for use in the hazardous areas. The enclosure, all hardware and antennas are rated for Class I, Division 2, groups A, B, C, & D. A POE injector and AC to DC power supply, are also included. The enclosure is made of 316 stainless steel and has a NEMA 4X rating for harsh conditions. Optional directional antennas are available and antennas can be mounted up to 150' away from the enclosure.

Ratings:

Class I, Division 2 Groups, A, B, C, & D
ATEX Zone 2 (coming soon)

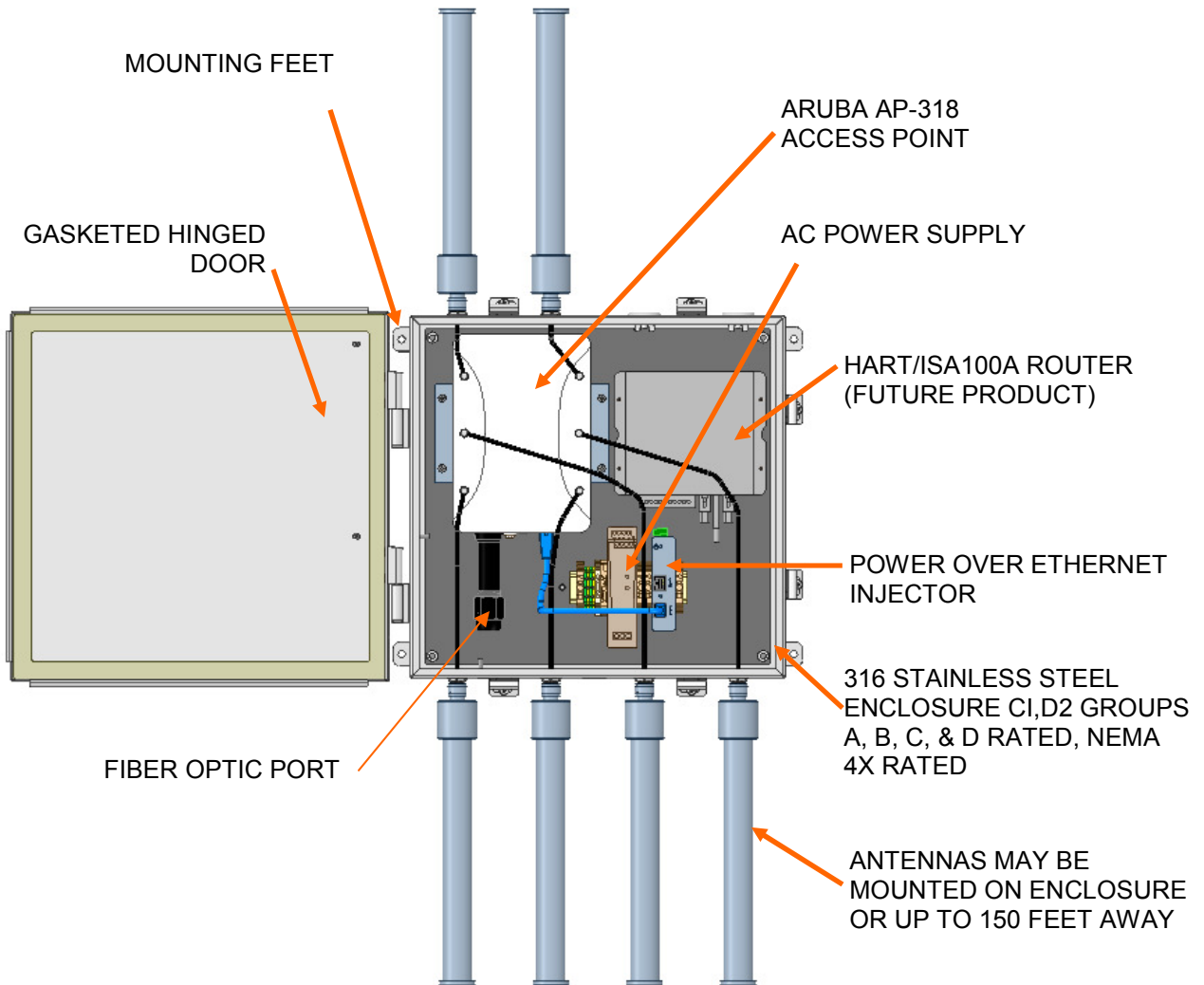
Applications:

- Pharmaceuticals
- Oil refineries
- Oil & Gas Platforms
- Chemical Plants

Ordering information:

AE-902-1

FEATURES



OPTIONAL ANTENNAS

Aruba Part Number	Description
JW023A	ANT-2x2-2005 Pair 2.4GHz 5dBi Omni N-type Direct Mount Outdoor Antennas
JW026A	ANT-2x2-5005 Pair 5GHz 5dBi Omni N-type Direct Mount Outdoor Antennas
JW035A	ANT-3x3-D608 Dual Band 60x60deg 8dBi +/- 45 and Vert Pol MIMO N-Type Antenna
Q8N51A	ANT-4x4-D608 4x4 2.4/5G 8dBi Panel



JW023A



JW026A

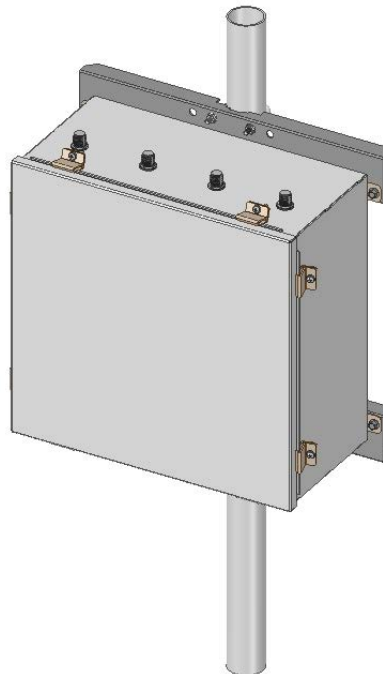


JW035A

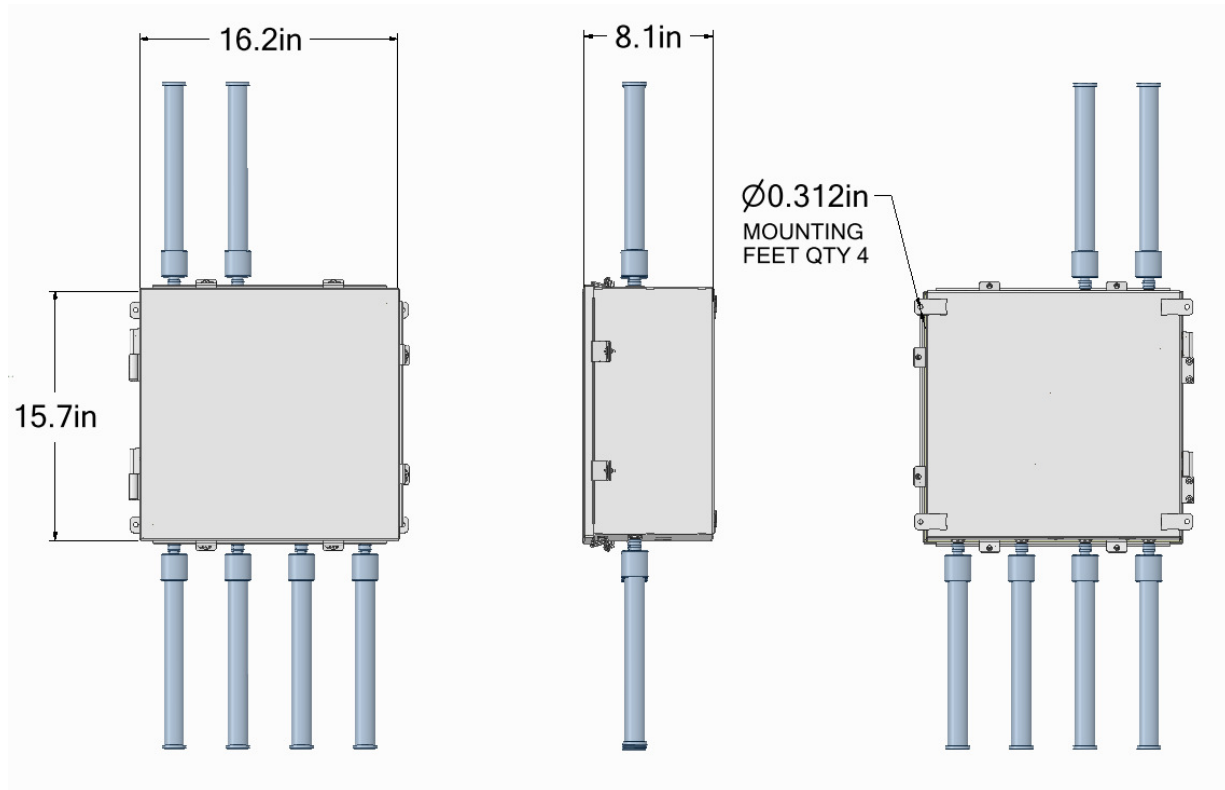


Q8N51A

OPTIONAL 2" O.D. POLE MOUNT KIT PART NUMBER B-10946A



DIMENSIONS



Ratings	
Supply Input:	AC Input: 100-240 V ac, 50/60Hz, 0.19 A
Power Supply Output	24V dc, 3A
Dimensions/Weight:	16.43 x 8.24 x 15.82 inches (L x W x H), 38 lbs
Environmental Conditions:	Operating Temperature: -25°C to 50°C Operating Humidity: 95% Altitude: 2,000 m
For Use in Wet Locations:	Outdoor Use, UL Type 4X
Test Item Particulars	
Type of Item:	Control
Description of Equipment Function:	Enclosed Device – UL Type 4X
Overtoltage Category:	II
Pollution Degree:	2
Equipment Mobility:	Fixed
Operating Conditions	Continuous