



HAZARDOUS AREA RF WIRELESS TRANSMITTER MODEL A753-EXP

The Model A753-EXP houses the A753 din rail RF transmitter in an explosion proof enclosure. The A753-EXP also includes our patented hazardous area antenna making it ideal for Class 1, Division 1 group C & D applications. Designed for RF transmission of a 4-20mA signal and two discrete (switch) inputs. Switch inputs can be wet or dry. The model A753-EXP transmitter communicates with the model A750 receiver. A repeater can be added simply by placing in between transmitter and receiver, no programming required. Two radio options are available: long range 1W or low cost 50mW.

TECHNICAL SPECIFICATIONS

Transmitter Specifications

INPUT RANGE:

4-20mA, optional 0 to 5 VDC

DISCRETE (switch or logic, quantity 2):

Wet or dry contact

Dry contact range: 5 to 32 Vdc

Receiver Specifications (Model A750 sold separately)

STANDARD OUTPUT (receiver):

4 - 20mA, two relay outputs with N.O. and N.C. contacts
Contact ratings: 0.5 A at 125 VAC, 2 A at 30 VDC

RECEIVER SENSITIVITY:

900 MHz: -110 dBm (@ 9600 BPS) 900 MHz
Optional 2.4 GHz -102dBm

Common Specifications

ACCURACY:

16 bit maximum

RF OUTPUT:

1 Watt (+30 dBm), 900 MHz FHSS
optional 50mW (+20 dBm) 2.4 GHz DSSS

POWER (transmitter/receiver):

11 to 32 Vdc

OPERATING TEMPERATURE RANGE:

(transmitter/receiver)
-40°C to +85°C



Features

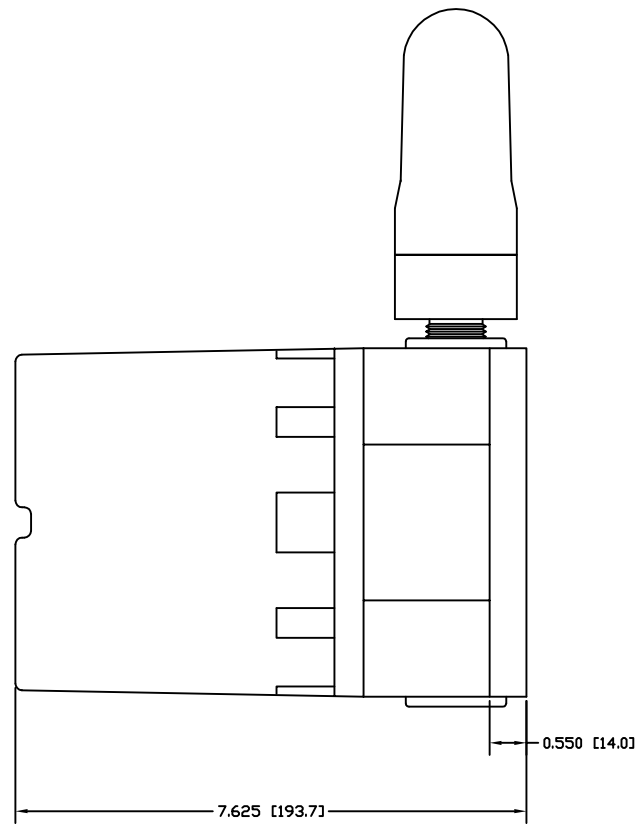
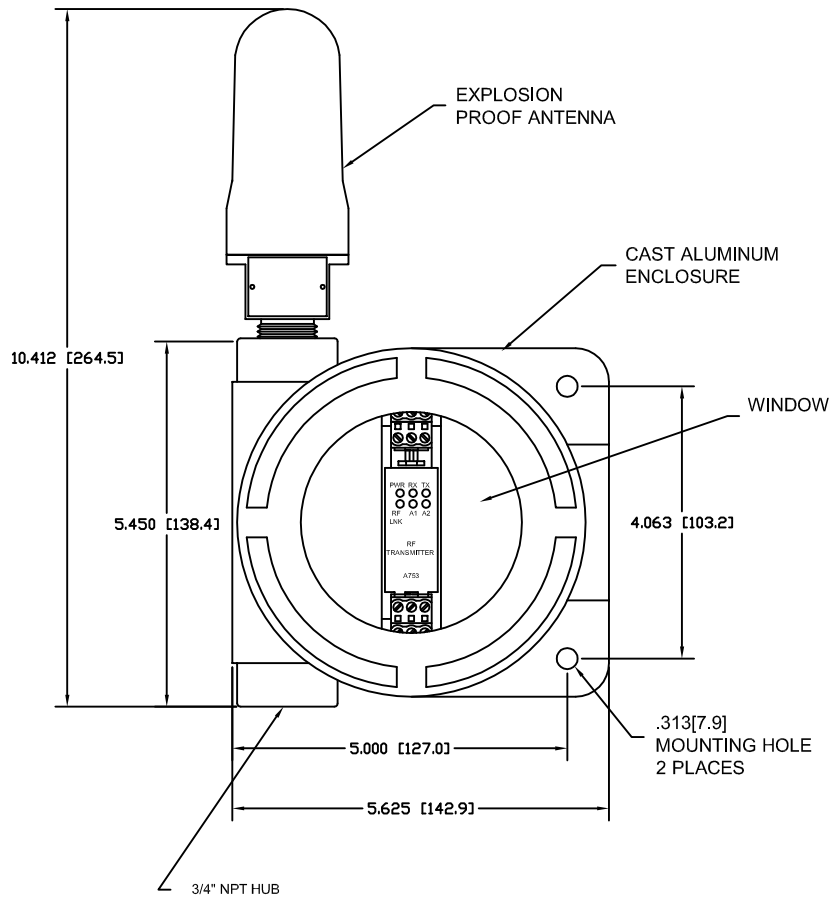
- Typical distance 3,000' obstructed up to 40 miles with high gain antennas
- Designed for Class1, Division 1, groups C & D locations
- Transmit one 4-20mA and two switch states
- Communicates with A750 DIN rail receiver
- Designed for harsh industrial applications



A750 Receiver
sold separately

FRONT VIEW

RIGHT SIDE VIEW



- NOTES:
1. ALL DIMENSIONS ARE IN INCHES[MILLIMETERS].
 2. SUITABLE FOR USE IN CLASS 1, DIVISION 1 GROUPS C, D & CLASS 1, ZONE 1 -40°C TO +85°C INCLUSIVE
 3. ENCLOSURE SAND, COPPER FREE ALUMINUM 1/2[12.7] WALL WITHOUT WINDOW: 6[152.4]

QUOTE OR ORDER NUMBER		Analylnk Wireless, LLC 790 CROSS POINTE ROAD COLUMBUS, OHIO 43230	
TITLE		A753-EXP	
FOR		RF XMITTER	
CHECKED	DATE	NEXT ASS'Y	DWG. NO.
APPROVED	DATE		SD-D-0287A