

A753-BT **Battery powered wireless** **transmitter**

The Model A753-BT transmitter offers battery power for installations that do not have access to 24Vdc. The transmitter utilizes a real time clock that allows transmission intervals of seconds to days. The transmitter can operate at full one watt of power and includes an excitation supply to power external devices. Input is 4-20mA and two discrete switches (wet or dry). The transmitter communicates with the standard 24Vdc powered A750 receiver. Options include a NEMA 4 enclosure and 2.4GHz, 63mW.

Transmitter Specifications

INPUT:

4-20mA, optional 0 to 5 VDC, thermocouple (J or K), or RTD

DISCRETE (switch or logic):

Wet or dry contact

Wet contact range: 5 to 32 Vdc

EXCITATION :

12Vdc @ 300mA (max current)

Voltage is regulated and adjustable 34Vdc max.

ACCURACY:

16 bit maximum

RF OUTPUT:

900MHz FHSS 1 Watt (+30 dBm),

Optional: 2.4GHz DSSS 63mW (+18dBm)

TRANSMISSION INTERVAL:

Seconds to days (user specified)

ANTENNA:

Dipole 2.0dBi

POWER:

3.6V lithium battery (battery pack is external to transmitter)

BATTERY LIFE:

Configuration dependent, contact factory (months to years typical)



APPLICATIONS

- 4 – 20mA RF remote transmission
- Remote switch monitoring
- Pressure measurement
- Temperature measurement
- Tank level measurement

Ordering information:

P/N: A753-BT (Includes TX and 1 D cell battery pack)

P/N: A753-BT-N4 (TX and Battery Pack Housed in NEMA4 Enclosure)

2.4GHz, 63mW version:

P/N: A753-ZG-BT (Includes TX and 1 D cell battery pack)

P/N: A753-ZG-BT-N4 (TX and Battery Pack Housed in NEMA4 Enclosure)

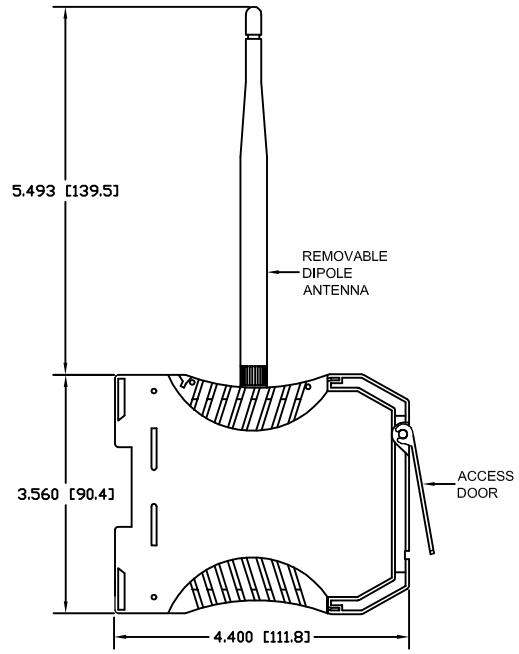
DWG. NO.
SD-D-0306C

REVISIONS

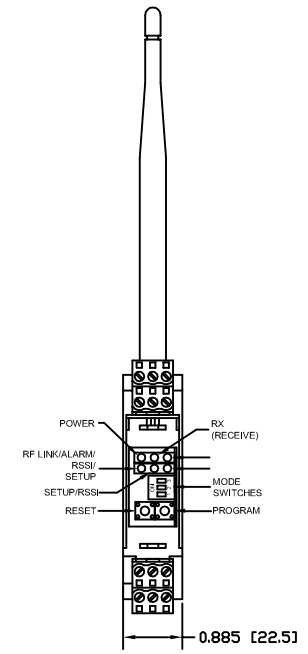
B	ADDED OPTIONAL BATTERY PACKS AND 4-20mA INPUT (SEE 0306A)
C	SINGLE CELL BATTERY PACK IS STANDARD (1/17/15)

DWG
SD-D-0306C

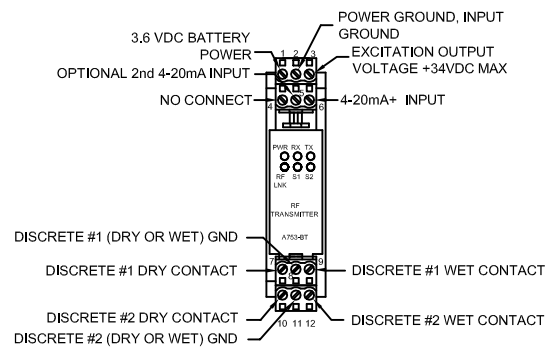
SIDE VIEW



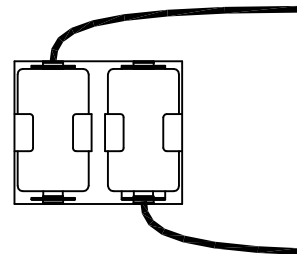
INDICATORS/SWITCHES
ACCESS DOOR OPEN



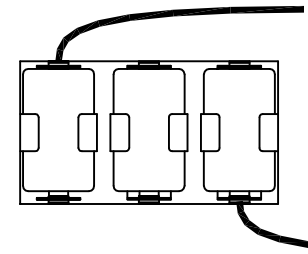
ELECTRICAL CONNECTIONS



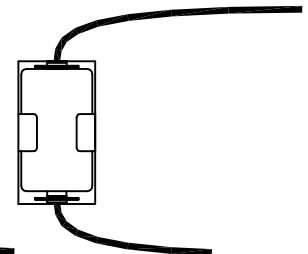
OPTIONAL
2 D CELL
BATTERY PACK
(LITHIUM)
DIN RAIL MOUNT



OPTIONAL
3 D CELL
BATTERY PACK
(NIMH)
DIN RAIL MOUNT



STANDARD
SINGLE D CELL
BATTERY PACK
(LITHIUM)
DIN RAIL MOUNT



NOTES:

1. ALL DIMENSIONS ARE IN INCHES[MILLIMETERS].
2. TRANSMITTER MOUNTS ON 35mm DIN RAIL.
3. TRANSMITTER INCLUDES ONE BATTERY/BATTERY HOLDER UNLESS REQUESTED OTHERWISE.

QUOTE OR ORDER NUMBER	Analylnk Wireless, LLC 790 CROSS POINTE ROAD COLUMBUS, OHIO 43230
DATE	12/01/08
DESIGNED BY	RL
CHECKED BY	RL
DATE	12/01/08
APPROVED BY	RL
DATE	12/01/08
FILE NAME	SD-D-0306C.Dwg
TITLE	BATTERY POWER DIN FOR RF TRANSMITTER
NEXT ASS'Y	
DWG NO.	SD-D-0306C