

A753-BT-EXP

Battery powered wireless transmitter

The Model A753-BT-EXP transmitter offers battery power for installations that do not have access to 24Vdc. The A753-BT-EXP houses the standard A753-BT battery powered transmitter in a hazardous, NEMA 4 enclosure. The transmitter utilizes a real time clock that allows transmission intervals of seconds to days. The transmitter can operate at full one watt of power and includes an excitation supply to power external devices. An optional 2.4GHz, 63mW version is also available. Input is 4-20mA and two discrete switches (wet or dry). The transmitter communicates with the standard 24Vdc powered A750 receiver.



Transmitter Specifications

INPUT RANGE:

4-20mA, optional 0 to 5 VDC

DISCRETE (switch or logic):

Wet or dry contact quantity 2
Dry contact range: 5 to 32 Vdc

EXCITATION:

12Vdc @ 50mA (max current)
Voltage is regulated and adjustable 34Vdc max.

ACCURACY:

16 bit maximum

RF OUTPUT:

1 Watt (+30 dBm), 900 MHz FHSS

TRANSMISSION INTERVAL:

Seconds to days

ANTENNA:

Dipole 2.0dBi, explosion proof
C1 D1, groups C & D

POWER:

3.6V lithium batteries (2 max)

BATTERY LIFE:

Configuration dependent, contact factory
(months to years typical)

OPTIONAL: 2.4GHz, 63mW version model number A753-ZG-BAT-EXP

ENCLOSURE:

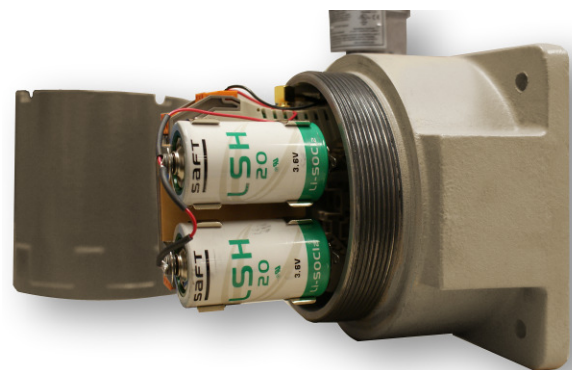
C1 D1, groups C & D, NEMA 4X, tempered glass window, 3/4" NPT conduit hub

OPERATING TEMPERATURE RANGE:

-40°C to +85°C

APPLICATIONS

- 4 – 20mA RF remote transmission
- Remote switch monitoring
- Pressure measurement
- Temperature measurement
- Tank levels



Simple battery replacement!

DWG. NO.
SD-D-0286A

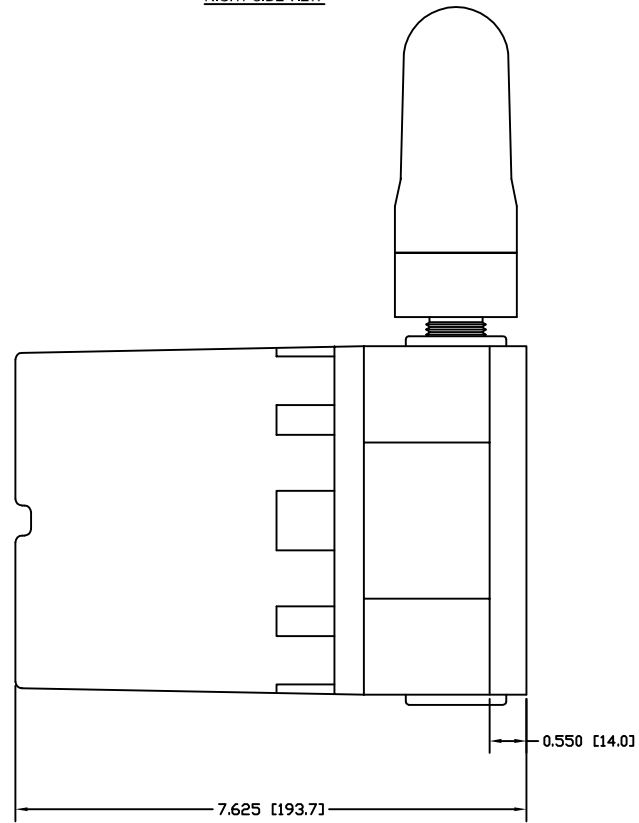
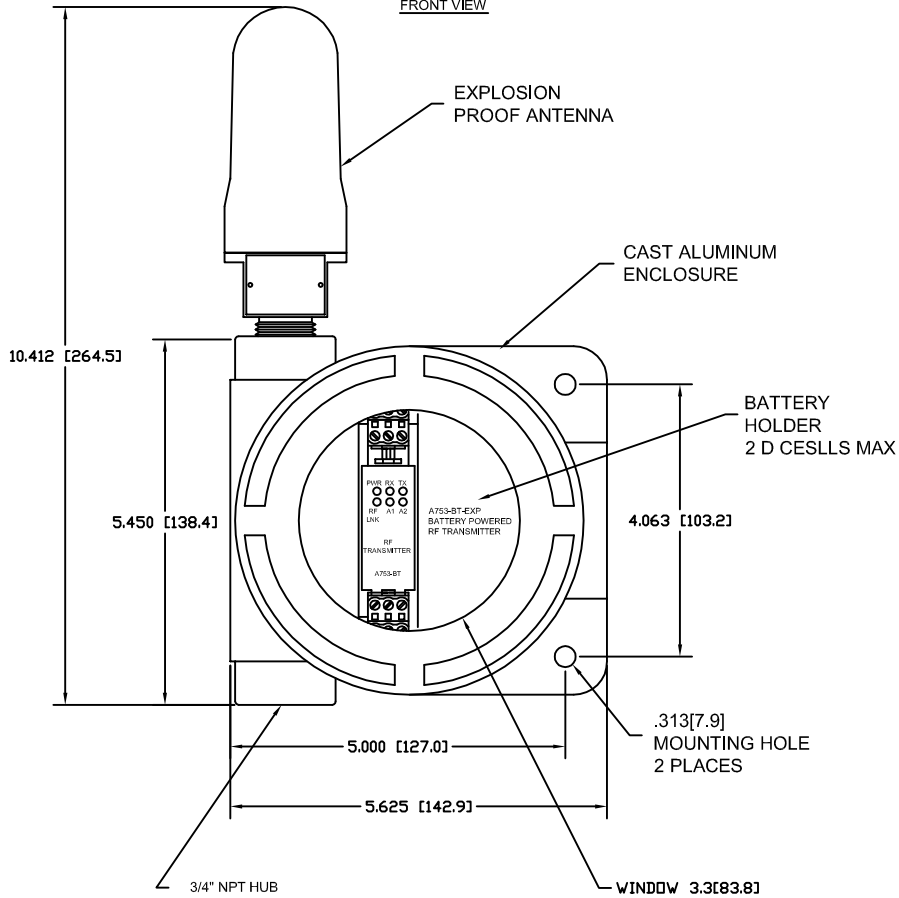
REVISIONS

- UPDATED TERMINAL
DESCRIPTIONS
BL 04/27/16

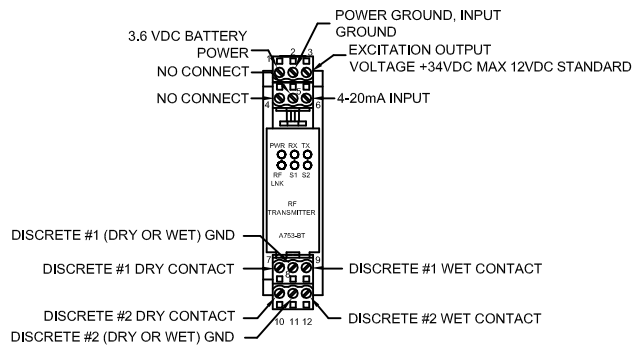
DWG
SD-D-0286A

FRONT VIEW

RIGHT SIDE VIEW



ELECTRICAL CONNECTIONS



- NOTES:
1. ALL DIMENSIONS ARE IN INCHES[MILLIMETERS].
 2. SUITABLE FOR USE IN CLASS 1, DIVISION 1 GROUPS C, D & CLASS 1, ZONE 1 -40°C TO +85°C INCLUSIVE
 3. ENCLOSURE SAND, COPPER FREE ALUMINUM 1/2[12.7] WALL WITHOUT WINDOW: 6[152.4]

QUOTE OR ORDER NUMBER	Analytek Wireless, LLC 790 CROSS POINTE ROAD COLUMBUS, OHIO 43230
TITLE	A753-BT-EXP
FOR	RF XMITTER
FILE NAME	SD-D-0286A.DWG
CHECKED DATE	APPROVED DATE
NEXT ASS'Y	DWG NO. SD-D-0286A