

The A75x series offers simplicity and reliability in a point to point wireless system. The A753 transmitter and A750 receiver transmit a 4-20mA, thermocouple, or RTD signal and two discrete (switch) inputs. Switch inputs can be wet or dry. One A753 transmitter can communicate with multiple A750 receivers for redundancy. A repeater can be added simply by placing in between transmitter and receiver, no programming required. Three radio options are available: long range 900MHz 1W, 900MHz 50mW and 2.4GHz 63mW. The A753 can operate in multipoint mode when coupled with the A750-MOD receiver. Analog and digital inputs and outputs are expandable at both the transmitter and receiver utilizing A0000 modules and AnaBus.

Transmitter Specifications

INPUT RANGE:

4-20mA (default)

Optional (specify when ordering): RTD 2 or 3 wire ($\alpha = 0.00385$), 0 to 5 VDC, thermocouple J, K, T (full range),

DISCRETE (switch or logic):

Wet or dry contact

Dry contact range: 5 to 32 Vdc

Receiver Specifications

STANDARD OUTPUT (receiver):

4 - 20mA, relay outputs with N.O. and N.C. contacts

Contact ratings: 0.5 A at 125 VAC, 2 A at 30 VDC

RECEIVER SENSITIVITY:

900 MHz: -110 dBm (@ 9600 BPS) 900 MHz

Optional 2.4 GHz -100dBm

Common Specifications

ACCURACY:

16 bit maximum

RF OUTPUT (power is adjustable max power shown):

1 Watt (+30 dBm), 900MHz FHSS

Optional:

50mW (+17 dBm), 900MHz FHSS (ZG series)

63mW (+18 dBm), 2.4GHz DSSS (LP series)

POWER (transmitter/receiver):

11 to 32 Vdc

OPERATING TEMPERATURE RANGE:

(transmitter/receiver)

-40 to +85° C



FEATURES

- 35mm DIN rail mount
- Standard 1W long range output, optional 50mw & 63mW
- Removable 2.0dBi dipole antenna
- DIP switch selectable channels
- Signal Strength indicator
- Repeaters available
- No software required

APPLICATIONS

- 4 – 20mA RF transmission
- Temperature monitoring
- Remote switch monitoring
- Tank level monitoring
- Alarms

ORDERING INFORMATION

1W, 900MHz receiver: A750

1W, 900MHz transmitter: A753

50mW, 900 MHz receiver: A750-LP

50mW, 900 MHz transmitter: A753-LP

63mW, 2.4 GHz receiver: A750-ZG

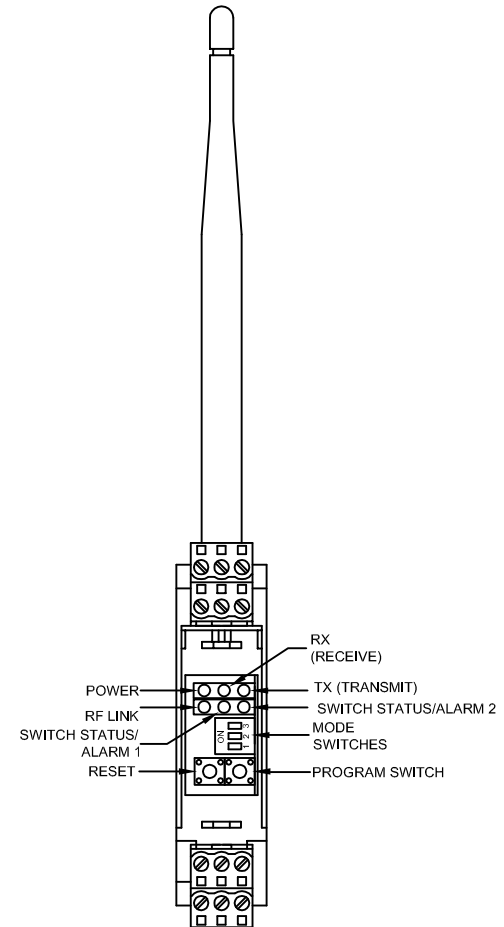
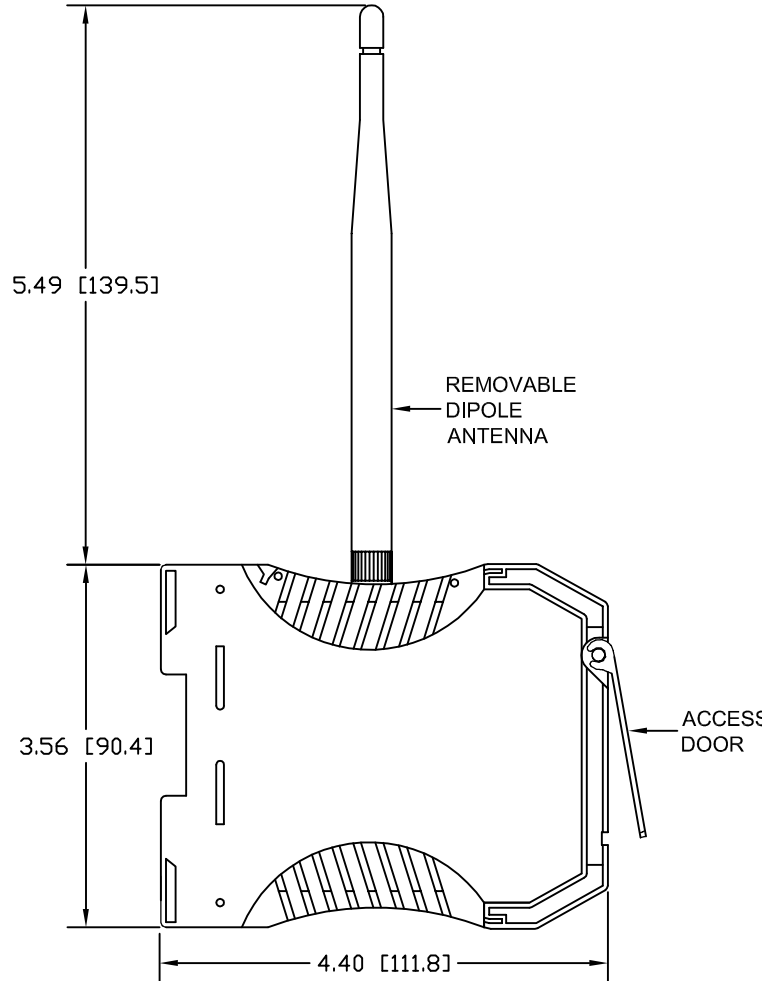
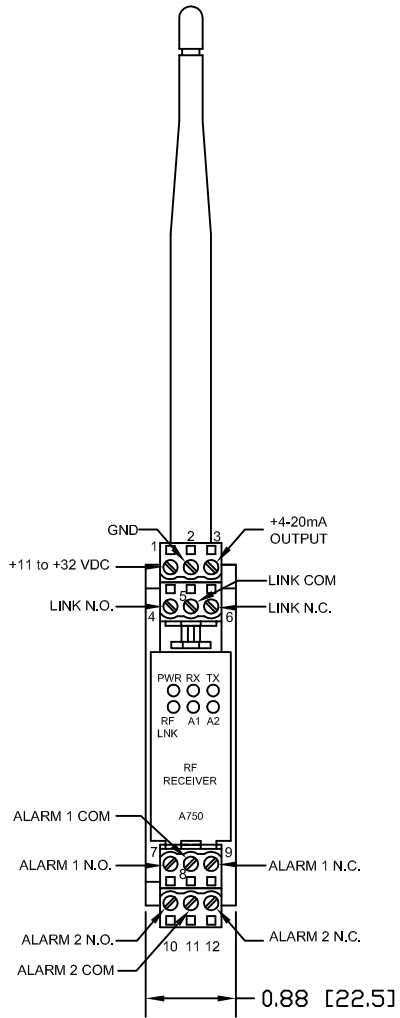
63mW, 2.4GHz transmitter: A753-ZG

Note: if analog input is not 4-20mA please specify input type and range when ordering.

FRONT VIEW

SIDE VIEW

INDICATORS/SWITCHES
ACCESS DOOR OPEN



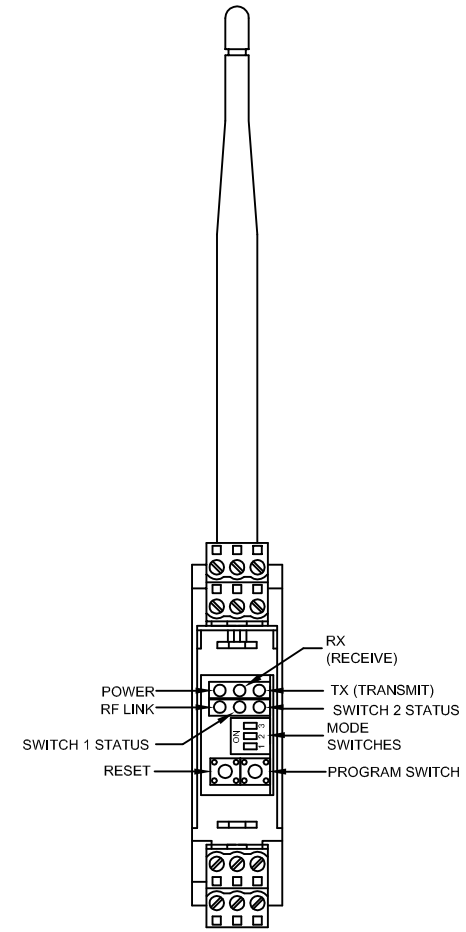
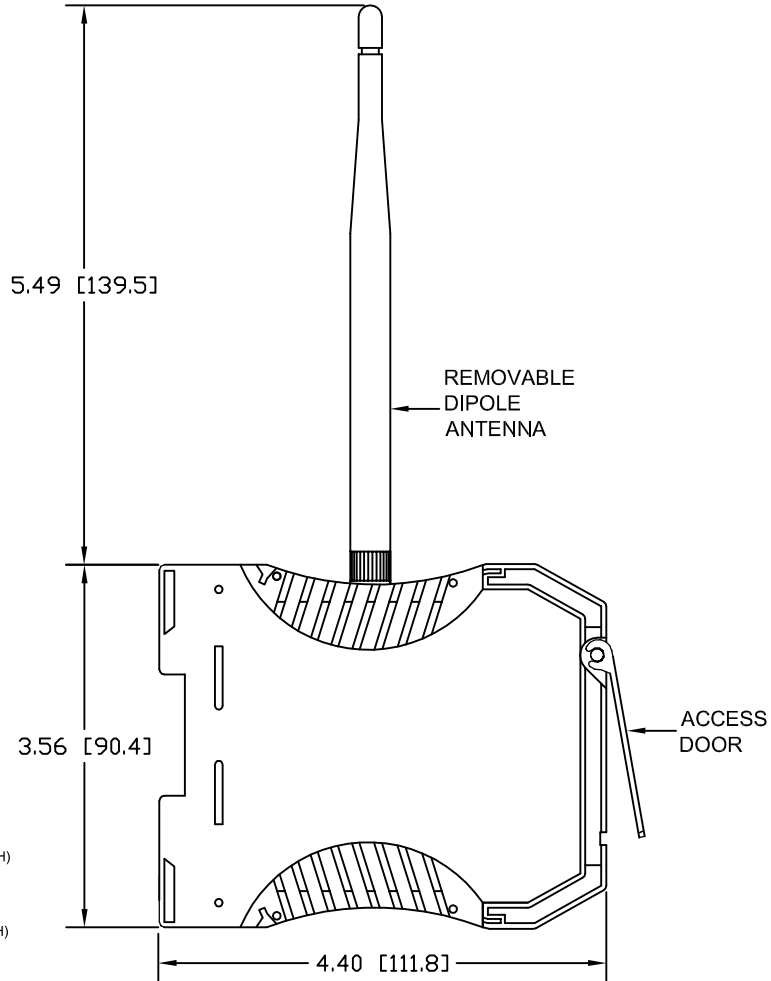
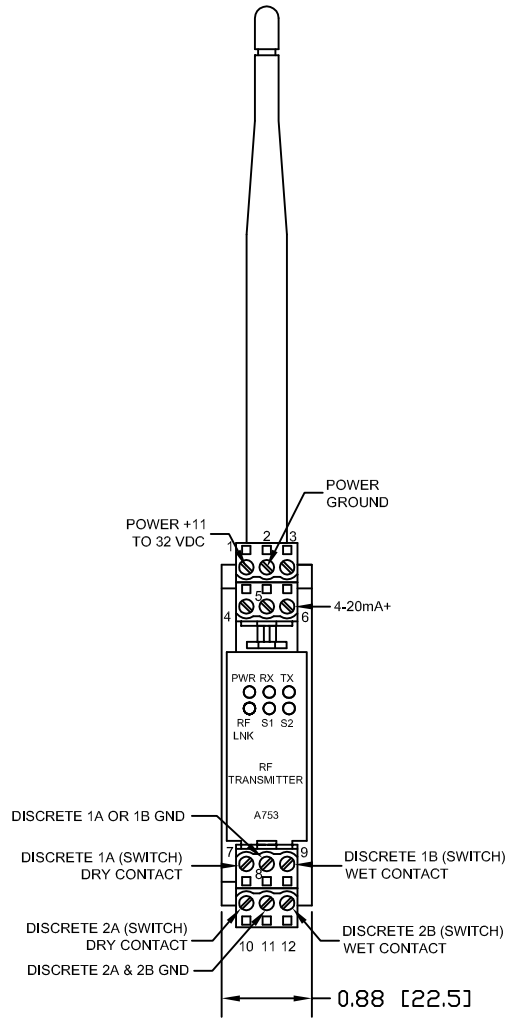
NOTE:
1) DIMENSIONS IN INCHES [MILLIMETERS].

QUOTE OR ORDER NUMBER		Analylnk Wireless, LLC 790 CROSS POINTE ROAD COLUMBUS, OHIO 43230	
Dimensions in inches unless otherwise specified		TITLE	
DIMENSION TOLERANCES UNLESS OTHERWISE SPECIFIED		FOR RF DIN 4-20mA	
BASIC DIMENSIONS	FRACTIONAL	DECIMAL	A750 RECEIVER
UP TO 6	+/- 1/64	+/- .005	
OVER 6 TO 24	+/- 1/32	+/- .005	
OVER 24	+/- 1/16	+/- .010	
SCALE	DO NOT SCALE DRAWING WORK TO DIMENSIONS		
DRAWN	RML	DATE	05/02/08
CHECKED	DATE	NEXT ASS'Y	DWG NO.
APPROVED	DATE		SD-D-0278A

FRONT VIEW

SIDE VIEW

INDICATORS/SWITCHES
ACCESS DOOR OPEN



NOTE:
1) DIMENSIONS IN INCHES [MILLIMETERS].

QUOTE OR ORDER NUMBER			Analylnk Wireless, LLC 790 CROSS POINTE ROAD COLUMBUS, OHIO 43230		
Dimensions in inches unless otherwise specified			TITLE		
DIMENSION TOLERANCES UNLESS OTHERWISE SPECIFIED			FOR RF DIN 4-20mA		
BASIC DIMENSIONS	FRACTIONAL	DECIMAL	A753 TRANSMITTER		
UP TO 6	+/- 1/64	+/- .005			
OVER 6 TO 24	+/- 1/32	+/- .005			
OVER 24	+/- 1/16	+/- .010			
SCALE	DO NOT SCALE DRAWING WORK TO DIMENSIONS				
DRAWN	RML	DATE	05/02/08		
CHECKED	DATE	NEXT ASS'Y		DWG NO.	
APPROVED	DATE			SD-D-0277A	