

# RF I/O EXPANSION MODULE OVERVIEW



## Example A0033 I/O MODULE

The RF Expansion Model Axxxx expands the digital and analog inputs and outputs available for our wireless line of products (e.g., A750 receiver, A753 transmitter). Modules are available to accommodate both inputs and outputs at the transmitter and/or receiver. A variety of configurations are available, a listing of current modules is shown below .

### Specifications

#### INPUTS:

Analog: 4-20mA

Discrete (switch or logic):

Wet or dry contacts (Dry contact range: 5 to 32 Vdc)

#### OUTPUTS:

Analog 4-20mA

Relays with N.O. or N.C. contacts, specify when ordering

Contact ratings: 0.5 A at 125 VAC, 2 A at 30 VDC

#### POWER:

Not required (provided by Anabus)

#### OPERATING TEMPERATURE RANGE:

-40°C to +85°C

### Model Numbers:

A0033 three discrete inputs and outputs

A3300 three 4-20mA inputs, three 4-20mA outputs

A0600 six 4-20mA outputs

*Product line is expanding, contact the factory with your needs!*

[info@analyk.com](mailto:info@analyk.com)



### APPLICATIONS

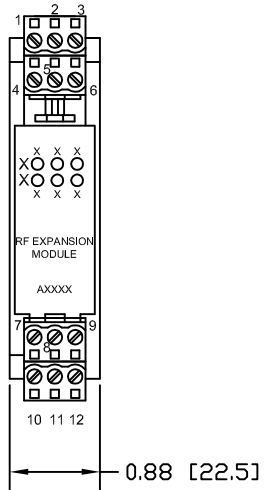
- Expanding analog/digital inputs and outputs at the A750, A753

A750 receiver with expansion module

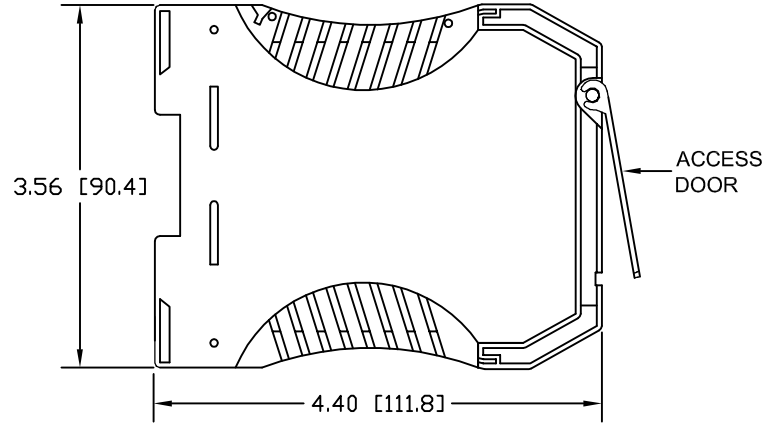
A753 transmitter with expansion module



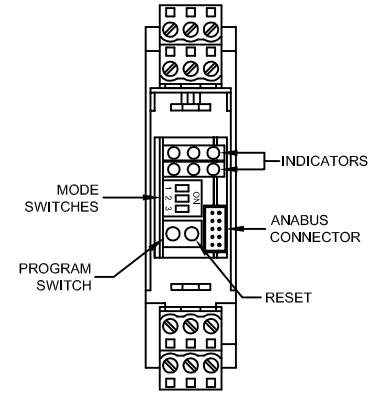
FRONT VIEW



SIDE VIEW



INDICATORS  
ACCESS DOOR OPEN



NOTE:  
1) DIMENSIONS IN INCHES [MILLIMETERS].  
2) TERMINALS ARE DEFINED BY MODULE TYPE.

QUOTE OR ORDER NUMBER		Analylnk Wireless, LLC 790 CROSS POINTE ROAD COLUMBUS, OHIO 43230	
<small>Dimensions in inches unless other wise specified</small> <small>DIMENSION TOLERANCES UNLESS OTHERWISE SPECIFIED</small>			
<small>BASIC DIMENSIONS</small>	<small>FRACTIONAL</small>	<small>DECIMAL</small>	<small>TITLE</small>
UP TO 6	+/- 1/64	+/- .005	RF I/O EXPANSION FOR MODULE OVERVIEW
OVER 6 TO 24	+/- 1/32	+/- .005	
OVER 24	+/- 1/16	+/- .010	
<small>SCALE</small>	<small>FULL</small>	<small>DO NOT SCALE DRAWING WORK TO DIMENSIONS</small>	
<small>DRAWN</small>	<small>RML</small>	<small>DATE</small> 02/02/09	
<small>CHECKED</small>	<small>DATE</small>	<small>APPROVED</small>	<small>DATE</small>
<small>FILE NAME</small> SD-D-0290A	<small>NEXT ASS'Y</small>	<small>DWG NO.</small> SD-D-0290A	